

- **Ideal for European 868.35 MHz Transmitters**
- **Very Low Series Resistance**
- **Quartz Stability**
- **Complies with Directive 2002/95/EC (RoHS)**



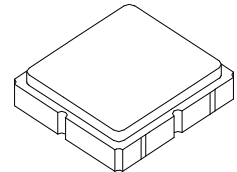
The RO3164E is a true one-port, surface-acoustic-wave (SAW) resonator in a surface-mount ceramic case. It provides reliable, fundamental-mode, quartz frequency stabilization of fixed-frequency transmitters operating at 868.35 MHz. This SAW is designed specifically for remote-control and wireless security transmitters operating under ETSI-ETS 300 220 in Europe and under FTZ 17 TR 2100 in Germany.

**Absolute Maximum Ratings**

Rating	Value	Units
Input Power Level	0	dBm
DC Voltage	12	VDC
Storage Temperature	-40 to +125	°C
Operating Temperature Range	-40 to +125	°C
Soldering Temperature	+260	°C

**RO3164E/E-1/E-2**

**868.35 MHz  
SAW Resonator**



**SM3030-6 Case  
3.0 X 3.0**

**Electrical Characteristics**

Characteristic	Sym	Notes	Minimum	Typical	Maximum	Units	
Frequency (+25 °C) Nominal Frequency	$f_C$	RO3164E RO3164E-1 RO3164E-2	868.150		868.550	MHz	
			868.200		868.500		
			868.250		868.450		
Tolerance from 868.35 MHz	$\Delta f_C$	RO3164E RO3164E-1 RO3164E-2			±200	kHz	
					±150		
					±100		
Insertion Loss	IL	2,5,6		1.3	2.0	dB	
Quality Factor	$Q_U$	Unloaded Q 50 $\Omega$ Loaded Q		7200			
			$Q_L$		975		
Temperature Stability	$T_O$	Turnover Temperature Turnover Frequency Frequency Temperature Coefficient	10	25	40	°C	
			$f_O$	6,7,8	$f_C$		kHz
			FTC		0.032		ppm/°C <sup>2</sup>
Frequency Aging	fA	1		<±10		ppm/yr	
DC Insulation Resistance between Any Two Terminals		5	1.0			M $\Omega$	
RF Equivalent RLC Model	$R_M$	Motional Resistance Motional Inductance Motional Capacitance Shunt Static Capacitance		16		$\Omega$	
			$L_M$	5, 6, 7, 9	20	$\mu$ H	
			$C_M$		1.7	fF	
			$C_O$	5, 6, 9	1.6	pF	
Test Fixture Shunt Inductance	$L_{TEST}$	2, 7		20		nH	
Lid Symbolization (in addition to Lot and/or Date Codes)	RO3164E 686, RO3164E-1 773, RO3164E-2 774 / YWWS						
Standard Reel Quantity	Reel Size 7 Inch Reel Size 13 Inch	10	500 Pieces / Reel				
			3000 Pieces / Reel				



**CAUTION: Electrostatic Sensitive Device. Observe precautions for handling.**

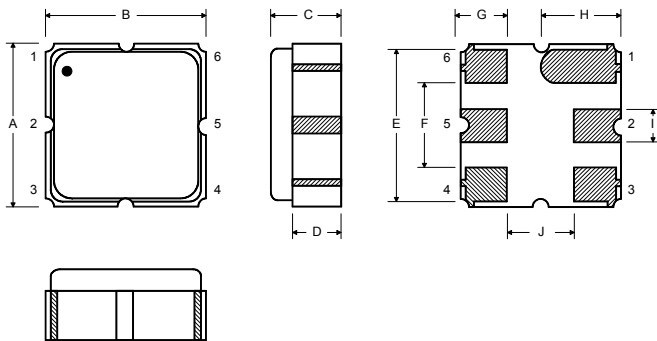
## NOTES:

- Frequency aging is the change in  $f_c$  with time and is specified at +65°C or less. Aging may exceed the specification for prolonged temperatures above +65°C. Typically, aging is greatest the first year after manufacture, decreasing in subsequent years.
- The center frequency,  $f_c$ , is measured at the minimum insertion loss point,  $IL_{MIN}$ , with the resonator in the 50  $\Omega$  test system ( $VSWR \leq 1.2:1$ ). The shunt inductance,  $L_{TEST}$ , is tuned for parallel resonance with  $C_O$  at  $f_c$ . Typically,  $f_{OSCILLATOR}$  or  $f_{TRANSMITTER}$  is approximately equal to the resonator  $f_c$ .
- One or more of the following United States patents apply: 4,454,488 and 4,616,197.
- Typically, equipment utilizing this device requires emissions testing and government approval, which is the responsibility of the equipment manufacturer. Unless noted otherwise, case temperature  $T_C = +25^\circ C \pm 2^\circ C$ .
- The design, manufacturing process, and specifications of this device are subject to change without notice.
- Derived mathematically from one or more of the following directly measured parameters:  $f_c$ ,  $IL$ , 3 dB bandwidth,  $f_c$  versus  $T_C$ , and  $C_O$ .
- Turnover temperature,  $T_O$ , is the temperature of maximum (or turnover) frequency,  $f_O$ . The nominal frequency at any case temperature,  $T_C$ , may be calculated from:  $f = f_O [1 - FTC (T_O - T_C)^2]$ . Typically *oscillator*  $T_O$  is approximately equal to the specified *resonator*  $T_O$ .
- This equivalent RLC model approximates resonator performance near the resonant frequency and is provided for reference only. The capacitance  $C_O$  is the static (nonmotional) capacitance between the two terminals measured at low frequency (10 MHz) with a capacitance meter. The measurement includes parasitic capacitance with "NC" pads unconnected. Case parasitic capacitance is approximately 0.05 pF. Transducer parallel capacitance can be calculated as:  $C_P = C_O - 0.05$  pF.
- Tape and Reel Standard for ANSI / EIA 481.

## Electrical Connections

The SAW resonator is bidirectional and may be installed with either orientation. The two terminals are interchangeable and unnumbered. The callout NC indicates no internal connection. The NC pads assist with mechanical positioning and stability. External grounding of the NC pads is recommended to help reduce parasitic capacitance in the circuit.

Pin	Connection
1	NC
2	Terminal
3	NC
4	NC
5	Terminal
6	NC



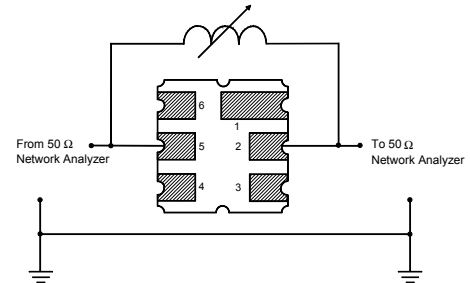
## Case Dimensions

Dimension	mm			Inches		
	Min	Nom	Max	Min	Nom	Max
A	2.87	3.0	3.13	0.113	0.118	0.123
B	2.87	3.0	3.13	0.113	0.118	0.123
C	1.12	1.25	1.38	0.044	0.049	0.054
D	0.77	0.90	1.03	0.030	0.035	0.040
E	2.67	2.80	2.93	0.105	0.110	0.115
F	1.47	1.6	1.73	0.058	0.063	0.068
G	0.72	0.85	0.98	0.028	0.033	0.038
H	1.37	1.5	1.63	0.054	0.059	0.064
I	0.47	0.60	0.73	0.019	0.024	0.029
J	1.17	1.30	1.43	0.046	0.051	0.056

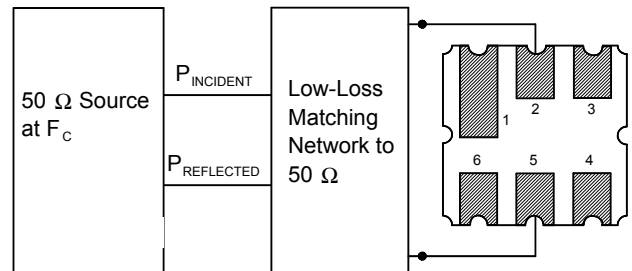
## Typical Test Circuit

The test circuit inductor,  $L_{TEST}$ , is tuned to resonate with the static capacitance,  $C_O$ , at  $f_c$ .

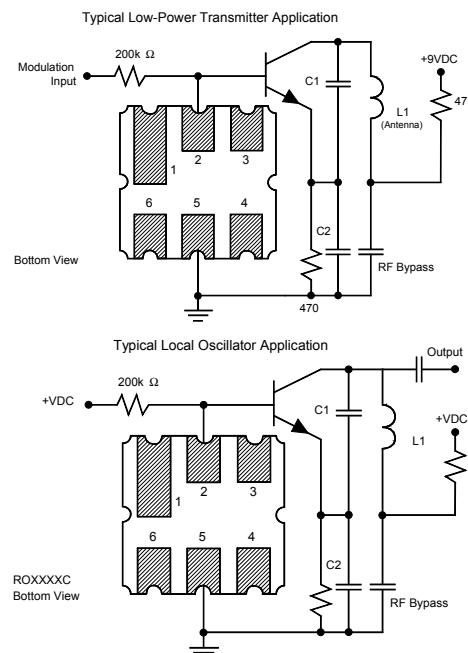
## Electrical Test



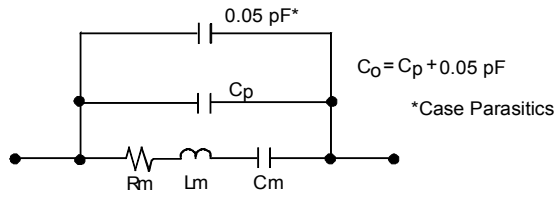
## Power Test



## Typical Application Circuits



### Equivalent LC Model



### Temperature Characteristics

The curve shown on the right accounts for resonator contribution only and does not include LC component temperature contributions.

