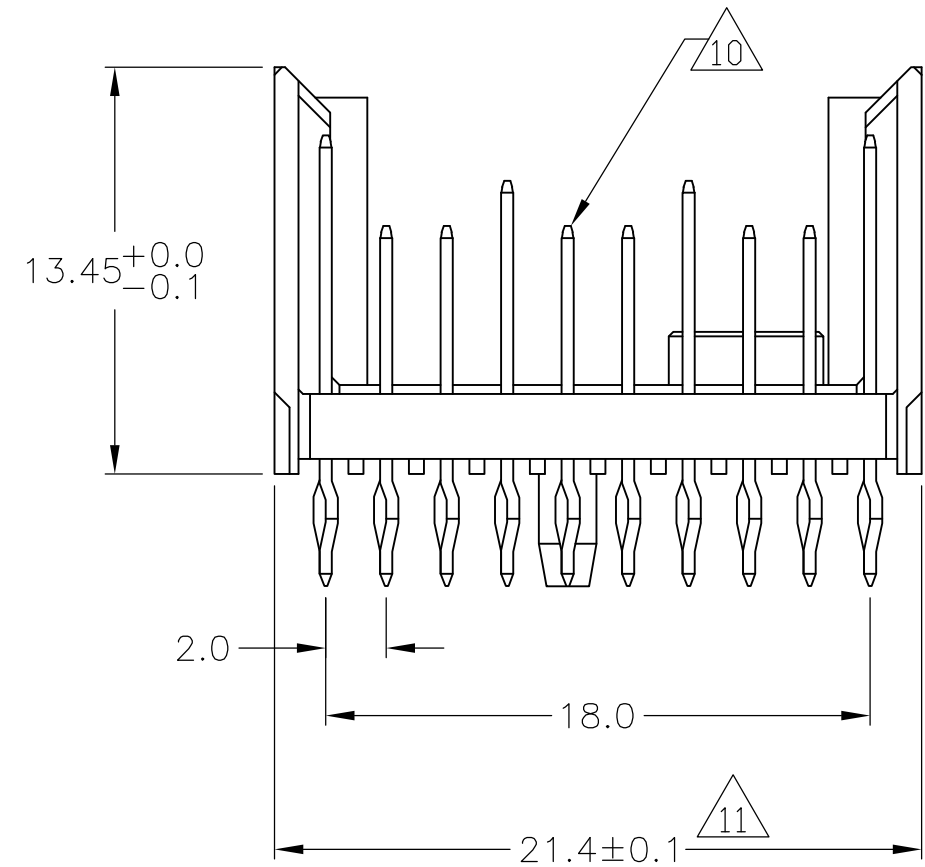
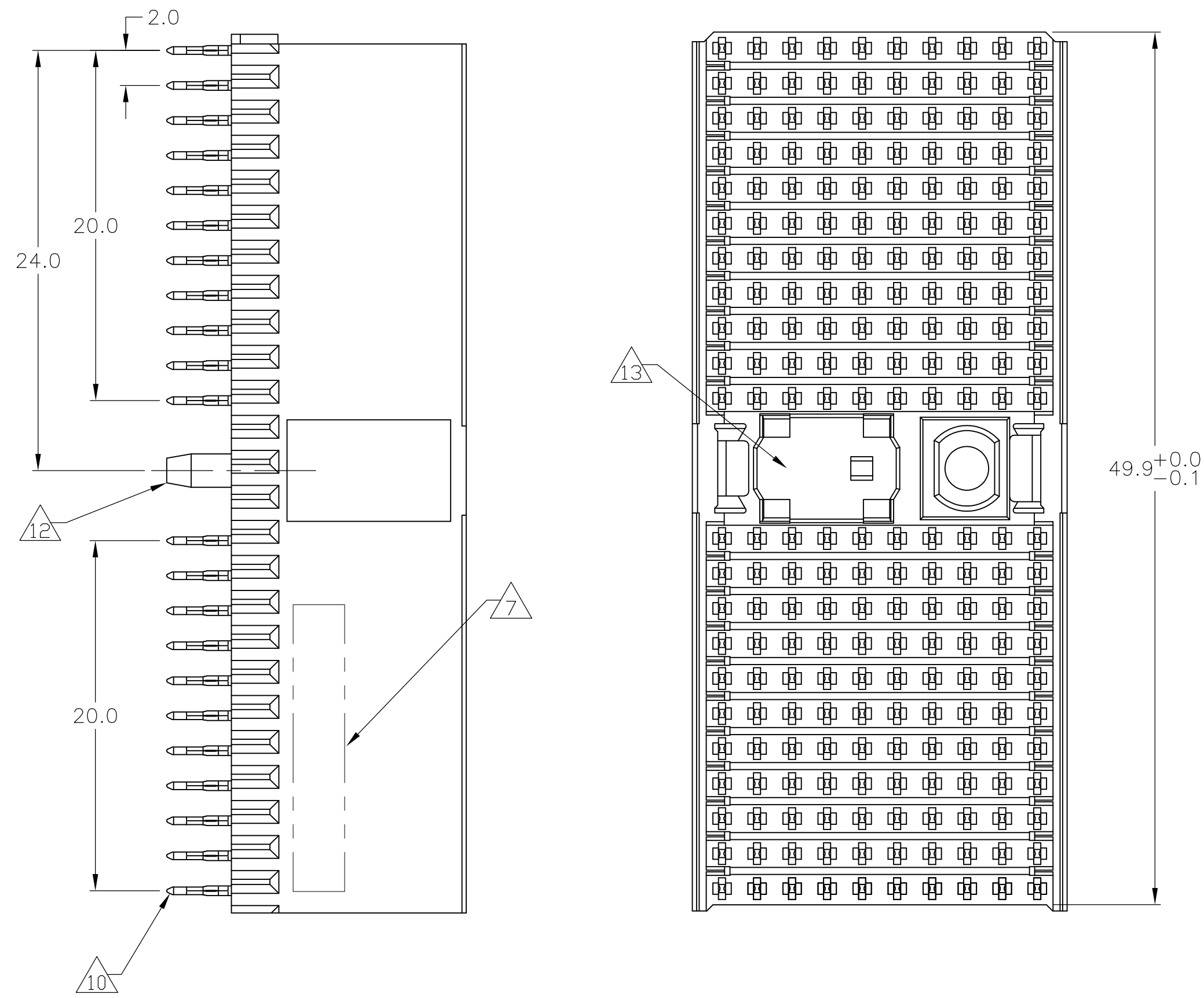
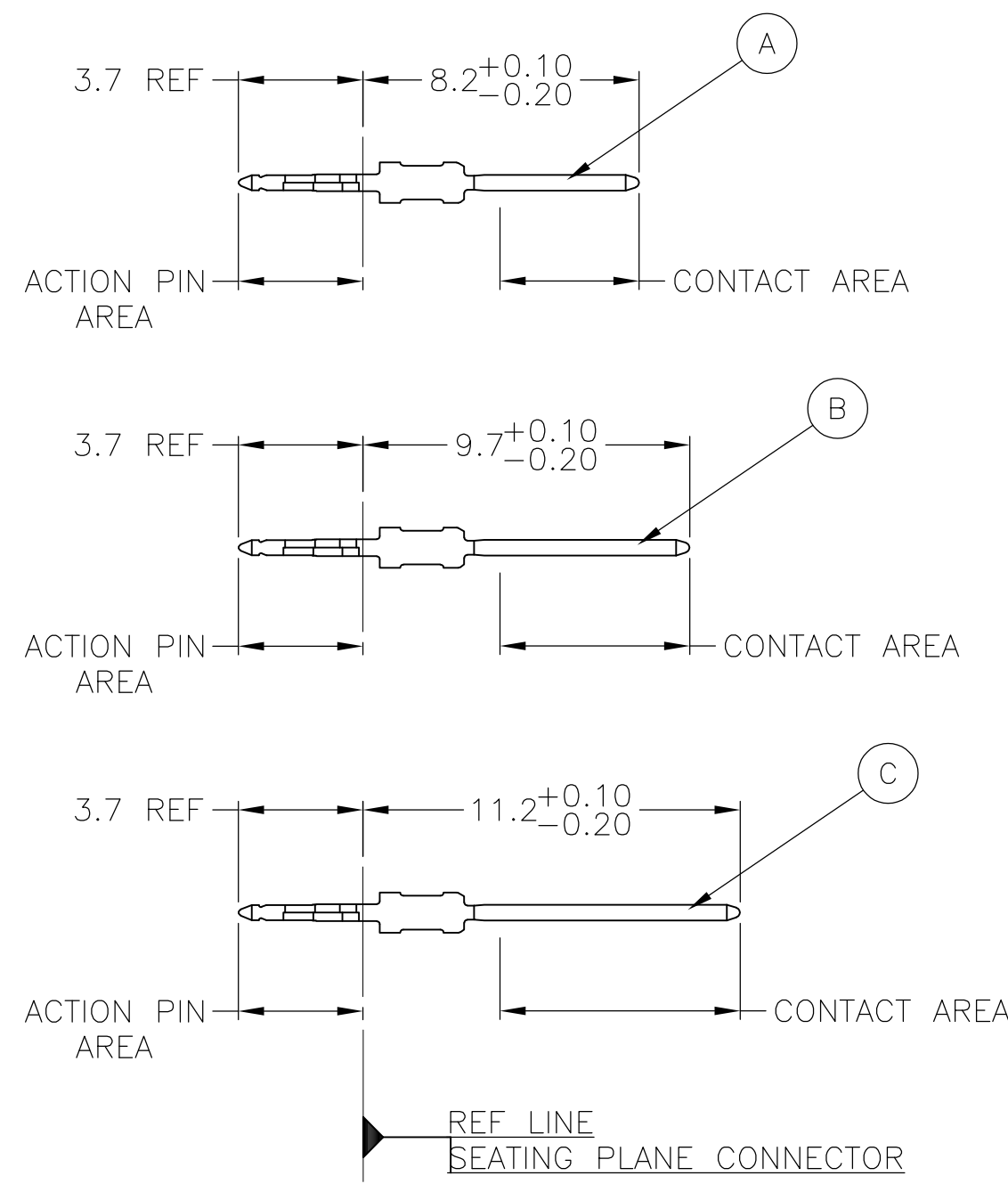


CONNECTOR ASSEMBLY EXAMPLARY LOADED



CONTACT DIMENSIONS

SCALE 5:1



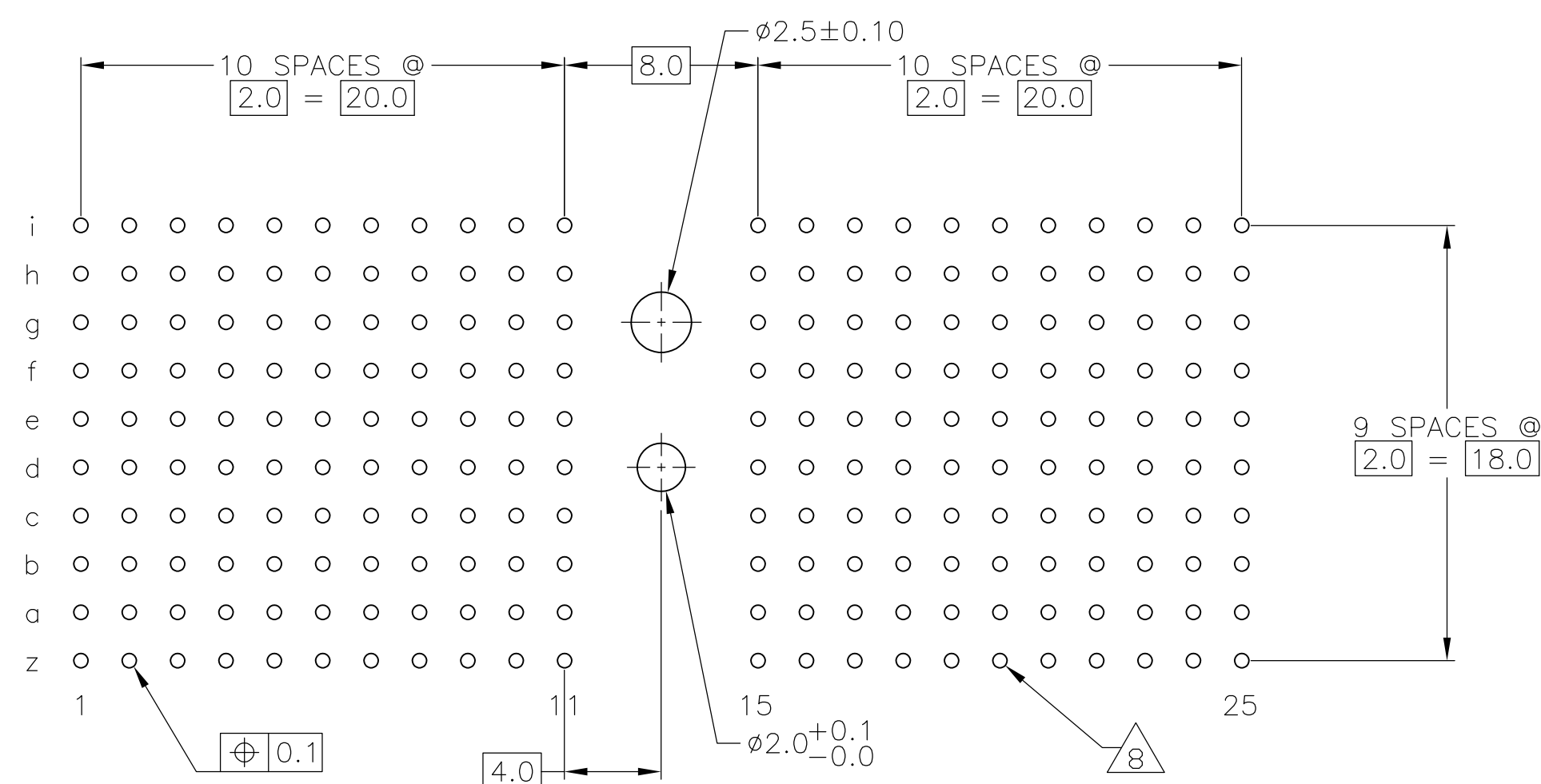
CONTACT LAYOUT

	z	a	b	c	d	e	f	g	h	i
1	C	A	A	B	A	A	B	A	A	C
2	C	A	A	B	A	A	B	A	A	C
3	C	A	A	B	A	A	B	A	A	C
4	C	A	A	B	A	A	B	A	A	C
5	C	A	A	B	A	A	B	A	A	C
6	C	A	A	B	A	A	B	A	A	C
7	C	A	A	B	A	A	B	A	A	C
8	C	A	A	B	A	A	B	A	A	C
9	C	A	A	B	A	A	B	A	A	C
10	C	A	A	B	A	A	B	A	A	C
11	C	A	A	B	A	A	B	A	A	C
MULTI PURPOSE CENTER										
15	C	A	A	B	A	A	B	A	A	C
16	C	A	A	B	A	A	B	A	A	C
17	C	A	A	B	A	A	B	A	A	C
18	C	A	A	B	A	A	B	A	A	C
19	C	A	A	B	A	A	B	A	A	C
20	C	A	A	B	A	A	B	A	A	C
21	C	A	A	B	A	A	B	A	A	C
22	C	A	A	B	A	A	B	A	A	C
23	C	A	A	B	A	A	B	A	A	C
24	C	A	A	B	A	A	B	A	A	C
25	C	A	A	B	A	A	B	A	A	C

RECOMMENDED PCB-HOLE LAYOUT COMPONENT SIDE SHOWN

PLATED THRU HOLES PARAMETERS

REFERENCE APPLICATION SPECIFICATION



2	6	14	1-5646764-9
2	5	14	5646764-9
2	4		5646764-4
2	3		5646764-1
FINISH			PART NUMBER

THIS DRAWING IS A CONTROLLED DOCUMENT.

DIMENSIONS: mm	TOLERANCES UNLESS OTHERWISE SPECIFIED:	DIN S. WAITMAN BAUGOS	NAME Tyco Electronics Corporation Harrisburg, Pa 17105-3608
0-PLC ±	1-PLC ±0.1	CHK G. SKIPPER BAUGOS	PRODUCT SPEC 108-1622
2-PLC ±	3-PLC ±	APVD G. SKIPPER BAUGOS	APPLICATION SPEC 114-19029
4-PLC ±	ANGLES ±	SIZE A1	CAGE CODE 00779
MATERIAL 1	FINISH SEE TABLE	WEIGHT	DRAWING NO. 5646764
		CUSTOMER DRAWING	RESTRICTED TO

SCALE 4:1 SHEET 1 OF 2 REV B

LOC		DIST		REVISIONS				
P	LTR	DESCRIPTION	DATE	DN	APVO			
AD	00	SEE SHEET 1	-	-	-			

- 1 MATERIAL:
CONTACT: PHOSPHOR BRONZE.
HOUSING: GLASS-FILLED POLYESTER.
- 2 GENERAL PLATING SPECIFICATION: UNDERPLATING
(ENTIRE CONTACT): 1.27µm MIN NICKEL AND ACTION
PIN: 0.5µm MIN TIN.
FOR PLATING OF MATING SURFACES SEE APPLICABLE
SPECIFICATION REFERENCE FOR EACH DASH NUMBER.
- 3 CONFORMS TO ALL TESTING ACCORDING TO IEC 61076-4-101
PERFORMANCE LEVEL 2.
- 4 CONFORMS TO ALL TESTING ACCORDING TO IEC 61076-4-101
PERFORMANCE LEVEL 1.
- 5 CONNECTOR TESTED AND QUALIFIED AGAINST TELCORDIA GR-1217-CORE QUALITY LEVEL 3,
CENTRAL OFFICE APPLICATIONS.
- 6 CONNECTOR TESTED AND QUALIFIED AGAINST TELCORDIA GR-1217-CORE QUALITY LEVEL 3,
UNCONTROLLED ENVIROMENT APPLICATIONS.
- 7 CONNECTOR MARKED WITH PART NUMBER AND DATE CODE.
ADDITIONAL CHARACTERS OR MARKINGS, AS WELL AS THE LOCATION OF THE MARKINGS,
MAY BE ADDED FOR TRACEABILITY BASED UPON MANUFACTURERS DISCRETION.
- 8 PLATED-THROUGH HOLES AT 2x2mm SQUARE GRID
PATTERN DEFINED BY CONTACT LAYOUT.
- 9 FOR ACTUAL PIN LOADING SEE "CONTACT LAYOUT".
- 10 FOR ACTUAL PIN DIMENSIONS SEE "CONTACT DIMENSIONS".
- 11 TO BE MEASURED AT BOTTOM OF SHROUD.
- 12 POLARIZATION FEATURE.
- 13 AREA RESERVED FOR KEYING PART (BASIC P/N 100525).
- 14 CONNECTOR LUBRICATED WITH BELCORE APPROVED LUBRICANT,
TECHNICAL REFERENCE: TR-NWT-001217 ISSUE 1, SEP 1992.

THIS DRAWING IS A CONTROLLED DOCUMENT.		DIN S. WAITMAN BAUGOS		Tyco Electronics Corporation Harrisburg, Pa 17105-3608	
DIMENSIONS: mm		TOLERANCES UNLESS OTHERWISE SPECIFIED: 0-PLC ± 1-PLC ±0.1 2-PLC ± 3-PLC ± 4-PLC ± ANGLES ±1°		APVO G. SKIPPER BAUGOS NAME 108-1622 PRODUCT SPEC APPLICATION SPEC 114-19029	
MATERIAL SEE SHEET 1		FINISH SEE SHEET 1		WEIGHT —	
		CUSTOMER DRAWING		SIZE CAGE CODE DRAWING NO RESTRICTED TO A1 00779 C=5646764 —	
		SCALE 4:1		SHEET 2 OF 2 REV B	