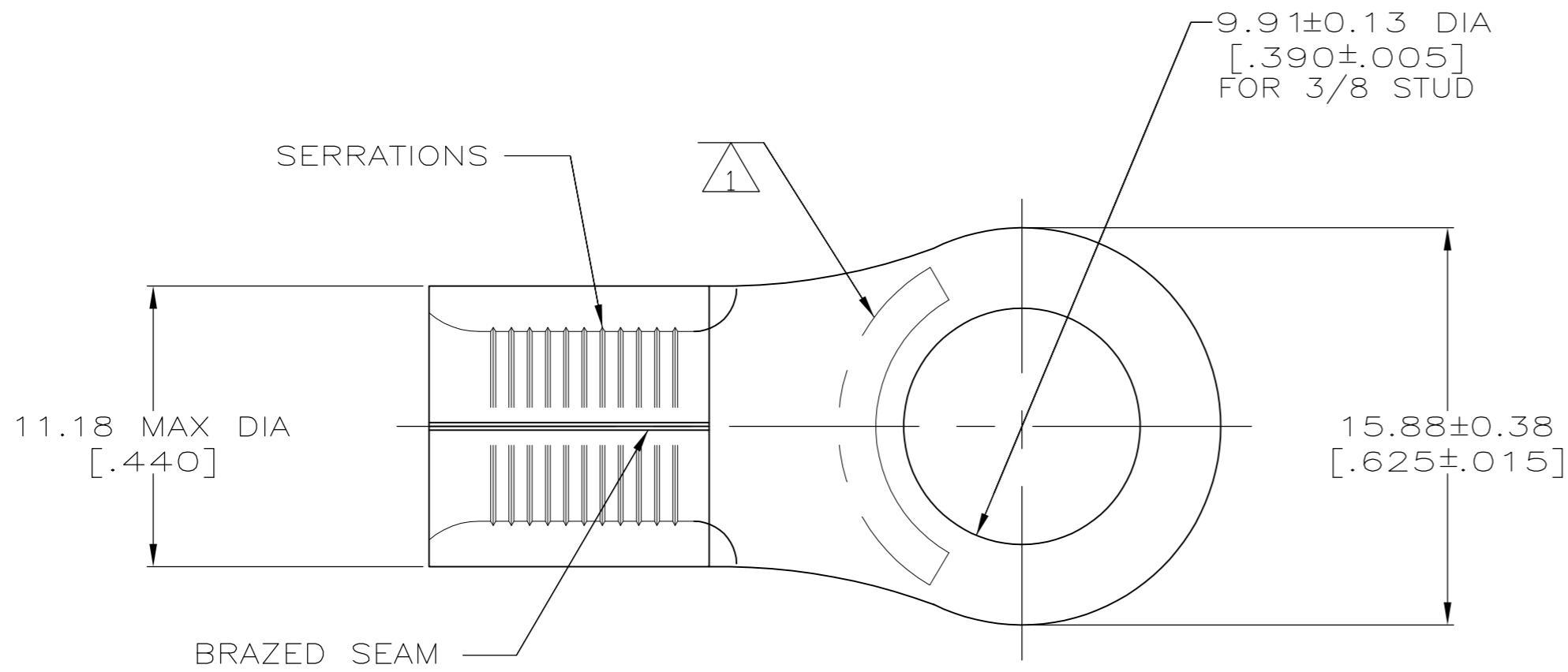
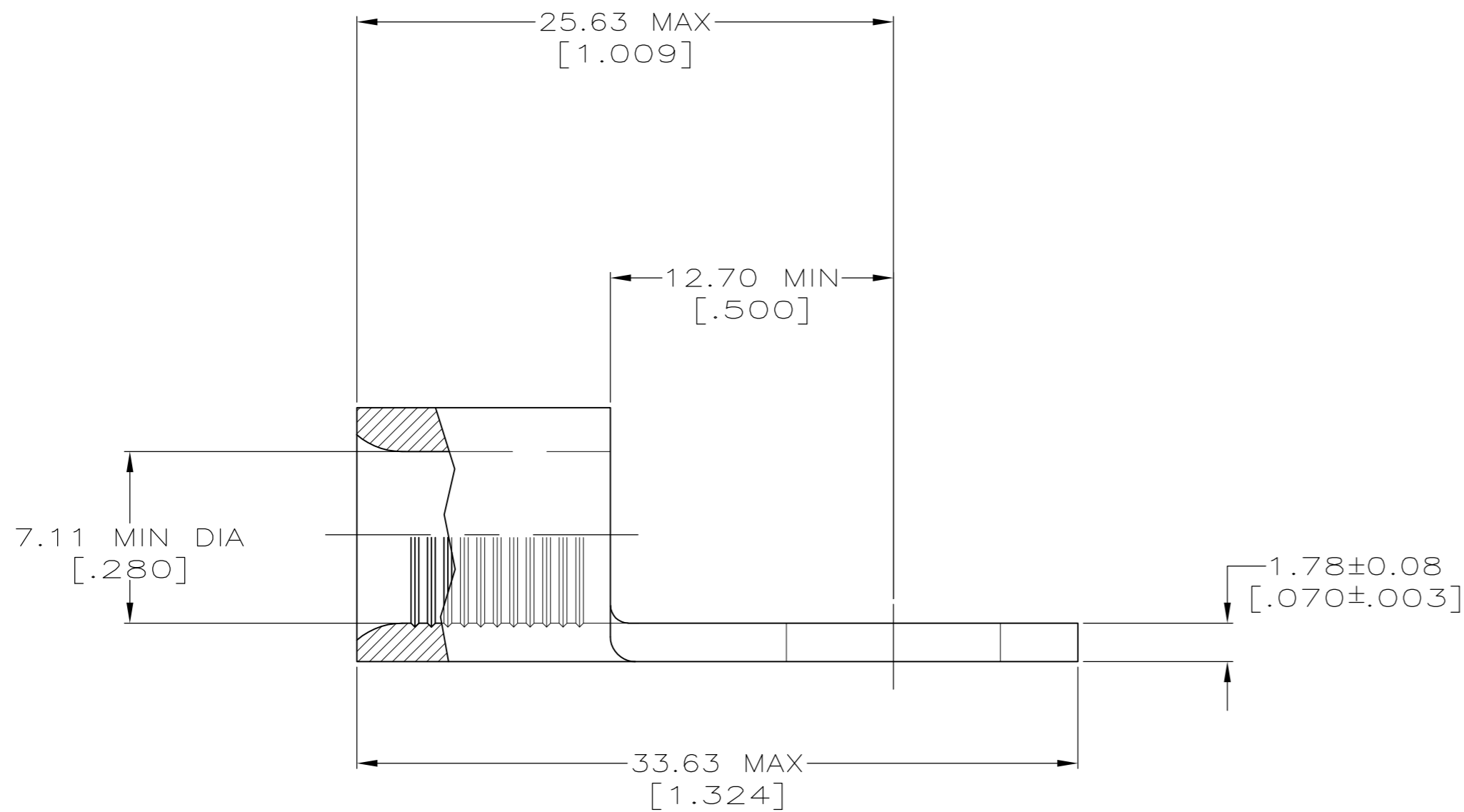


THIS DRAWING IS UNPUBLISHED. RELEASED FOR PUBLICATION
 © COPYRIGHT BY TYCO ELECTRONICS CORPORATION. ALL INTERNATIONAL RIGHTS RESERVED.

LOC	DIST	REVISIONS			
P	LTR	DESCRIPTION	DATE	DWN	APVD
G	14	G1	REVISED PER ECR-09-026553	08DEC09	HMR TM



AMP WIRE RANGE	Listed FILE E13288	LR7189 Certified
4 AWG SOLID OR STRANDED	4 AWG STRANDED	4 AWG SOLID OR STRANDED



- STAMP AMP 4W* APPROX AS SHOWN
- TIN PLATE 0.00254 [.000100] MIN THK PER ASTM B-545
- GOLD PLATE 0.000076 [.000003] MIN THK PER ASTM B-488, TYPE 2, CODE C, OVER NICKEL PLATE, 0.00127 [.000050] MIN THK PER QQ-N-290.
- COPPER PER ASTM B-152, ANNEALED
- MEETS MS20659-112, CLASS 2
- PRELIMINARY - NOT FOR PRODUCTION

	2-31812-3
	31812
FINISH	PART NO.

AMP INCORPORATED CUSTOMER SERVICE SYSTEMS		MAX RECOMMENDED OPERATING TEMPERATURE: 170°C MAX
FOR ADDITIONAL PRODUCT INFORMATION OR COPIES OF DRAWINGS AND TECHNICAL DOCUMENTS	PRODUCT INFORMATION CENTER 1-800-522-6752	VOLTAGE RATING: N/A
FOR APPLICATION TOOLING INFORMATION	TOOLING ASSISTANCE CENTER 1-800-722-1111	CIRCULAR MIL AREA: 16.8-26.7mm ² [33,100-52,600] SOLID OR STRANDED
FOR ORDER ENTRY	1-800-526-5142	THIS DRAWING IS A CONTROLLED DOCUMENT FOR AMP INCORPORATED. IT IS SUBJECT TO CHANGE AND THE CONTROLLING ENGINEERING ORGANIZATION SHOULD BE CONTACTED FOR THE LATEST REVISION.

THIS DRAWING IS A CONTROLLED DOCUMENT.		DWN TA BRINKMAN 3-29-93	Tyco Electronics Corporation Harrisburg, PA 17105-3608	
DIMENSIONS: mm [INCHES]		CHK DA PATTERSON 3-29-93	NAME JL MECKLEY 3-29-93	
TOLERANCES UNLESS OTHERWISE SPECIFIED:		APVD JL MECKLEY 3-29-93	PRODUCT SPEC	
0 PLC ± -		APPLICATION SPEC		
1 PLC ± -		WEIGHT		
2 PLC ± -		SCALE 4:1		
3 PLC ± -		SHEET 1 OF 1		
4 PLC ± -		REV G1		
ANGLES ± -		CUSTOMER DRAWING		
FINISH		RESTRICTED TO		
SEE TABLE		SIZE CAGE CODE DRAWING NO		
MATERIAL		A2 00779 C=31812		