

THIS DRAWING IS UNPUBLISHED.

RELEASED FOR PUBLICATION

© COPYRIGHT

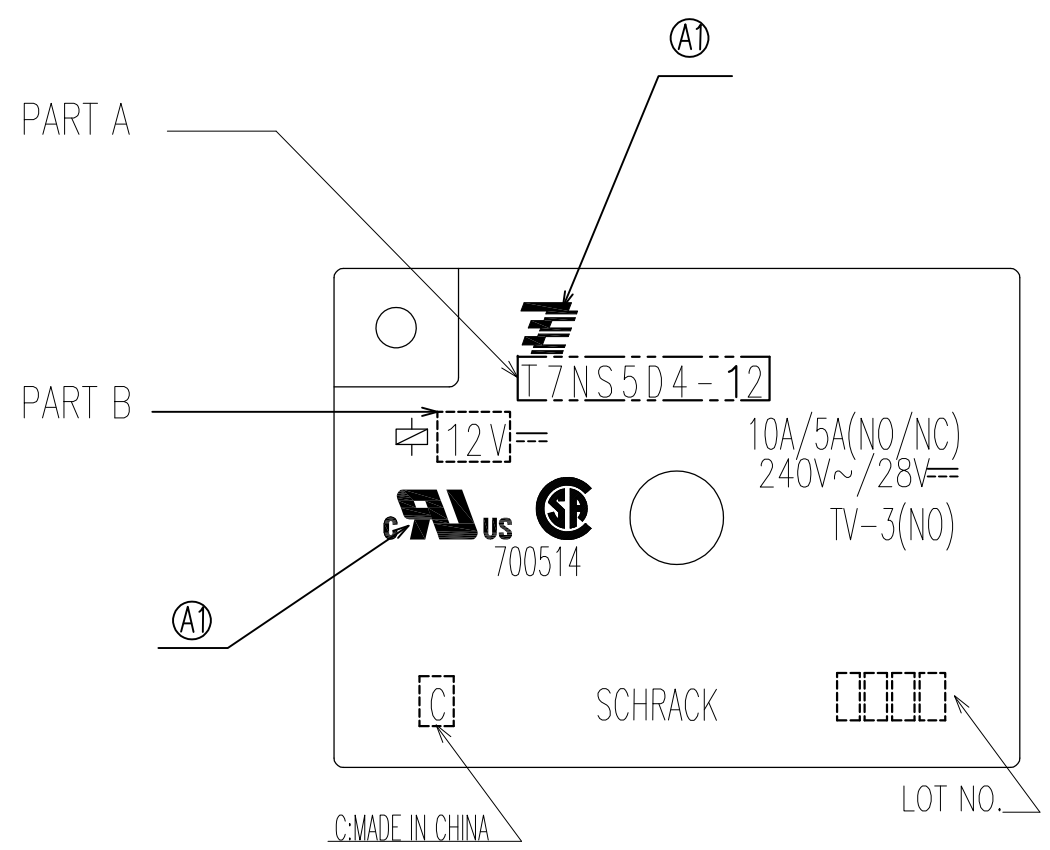
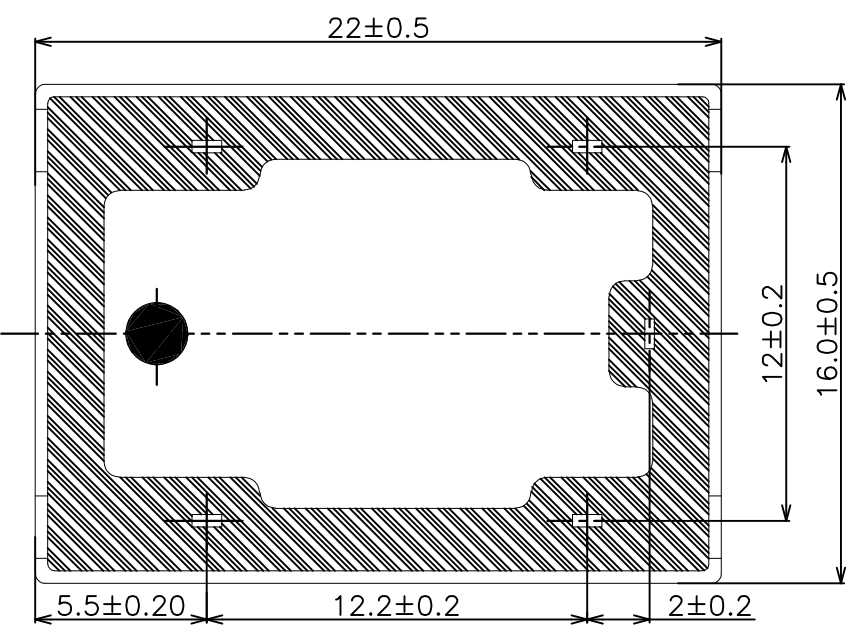
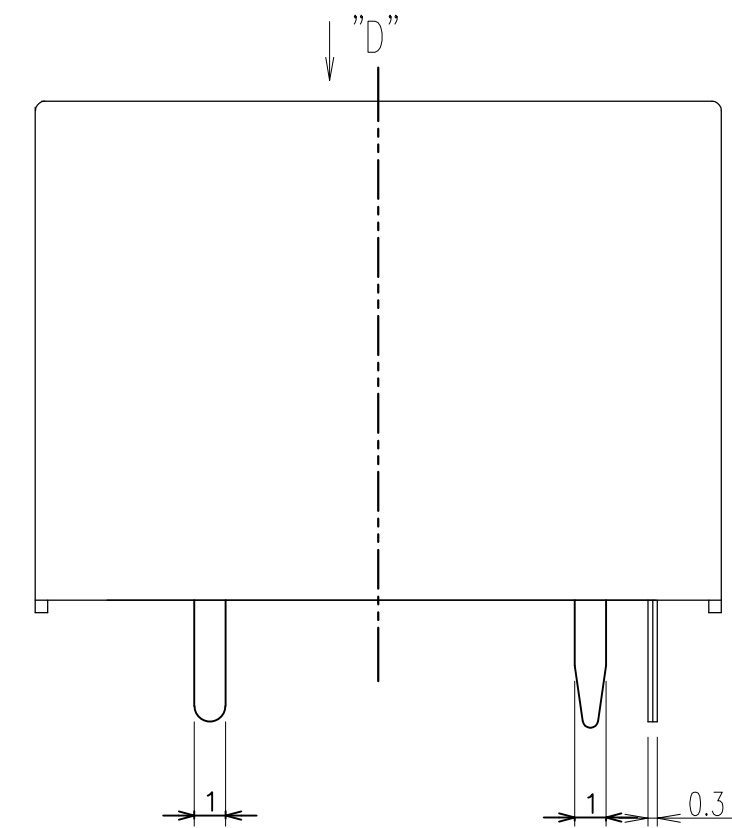
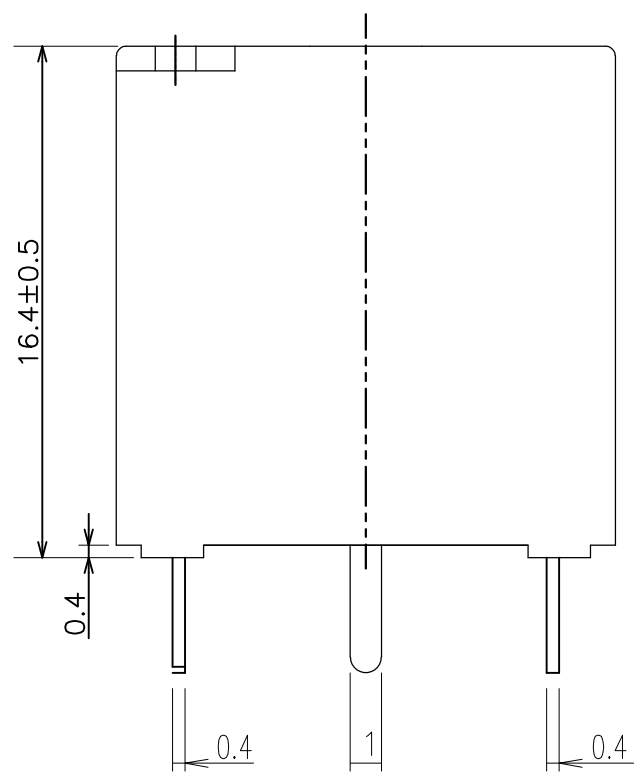
ALL RIGHTS RESERVED.

LOC
HB

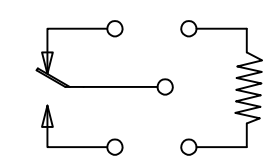
DIST

REVISIONS

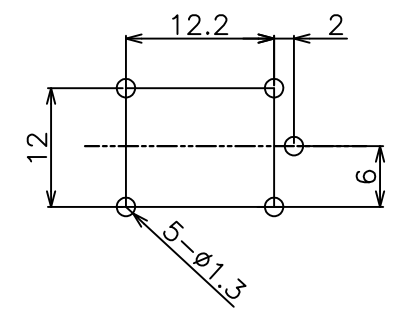
P	LTR	DESCRIPTION	DATE	DWN	APVD
	A2	REVISED PER ECO-11-005140	26MAR11	RK	HMR



CONNECTION DIAGRAM (BOTTOM VIEW)



DRILLING DIAGRAM(2/1) (BOTTOM VIEW)



DIMENSIONS: mm	TOLERANCES UNLESS OTHERWISE SPECIFIED: 0 PLC ± 1 PLC ± 2 PLC ± 3 PLC ± 4 PLC ±	DWN	ZUAN,ZHOU				
		CHK	BANGHUA.YU				
MATERIAL	FINISH	APVD	SUNNY.ZHANG	NAME			
		PRODUCT SPEC	-	T7NS5D4-**,005 CUSTOMER DRAWING			
		APPLICATION SPEC	-	SIZE	CAGE CODE	DRAWING NO	RESTRICTED TO
		WEIGHT	-	A3	00779	5-1440006-9	-
CUSTOMER DRAWING				SCALE	4:1	SHEET	1 OF 2
						REV	A2

THIS DRAWING IS UNPUBLISHED.

RELEASED FOR PUBLICATION

© COPYRIGHT

ALL RIGHTS RESERVED.

LOC
HB

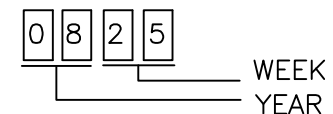
DIST

REVISIONS

P	LTR	DESCRIPTION	ECN	DATE	DWN	APVD

NOTES:

1.LOT NO. SYSTEM AS FOLLOWING:



2.GENERAL TOLERANCE AS FOLLOWING:

TOLERANCE	
0~0.99mm	±0.1
1mm~2.99mm	±0.2
3mm MIN.	±0.3

3.TERMINAL DIMENSION IS NOT INCLUDING SOLDER TIP.

6-1440006-7	48V	T7NS5D4-48
6-1440006-6	36V	T7NS5D4-36
6-1440006-5	24V	T7NS5D4-24
6-1440006-4	18V	T7NS5D4-18
6-1440006-3	12V	T7NS5D4-12
6-1440006-2	9V	T7NS5D4-09
6-1440006-1	6V	T7NS5D4-06
6-1440006-0	5V	T7NS5D4-05
5-1440006-9	3V	T7NS5D4-03
PART NO	PART B	PART A

RELAY TYPE

		POLYURETHANE COPPER WIRE	MAGNETIC WIRE	14
		EPOXY RESIN	SEAL	13
		Cu ALLOY	COIL TERMINAL	12
		SIVER TIN OXIDE	STATIONARY CONTACT	11
		SIVER TIN OXIDE	MOVABLE CONTACT	10
		Cu ALLOY	NO TERMINAL	9
		Cu ALLOY	NC TERMINAL	8
		Cu ALLOY	MOVABLE SPRING	7
UL94 V-0		PBT	CASE	6
UL94 V-0		PET	BOBBIN	5
UL94 V-0		PET	BASE	4
	Ni PLATED	STEEL	CORE	3
	Ni PLATED	STEEL	ARMATURE	2
	Ni PLATED	STEEL	YOKE	1
INCOMBUSTIBILITY	TREATMENT	MATERIAL	DESCRIPTION	ITEM

DIMENSIONS: mm		TOLERANCES UNLESS OTHERWISE SPECIFIED: 0 PLC ± 1 PLC ± 2 PLC ± 3 PLC ± 4 PLC ±	DWN				
MATERIAL			CHK				
FINISH		APVD	NAME				
-		PRODUCT SPEC	T7NS5D4-**,005 CUSTOMER DRAWING				
-		APPLICATION SPEC	SIZE	CAGE CODE	DRAWING NO	RESTRICTED TO	
-		WEIGHT	A3	00779	5-1440006-9	-	
CUSTOMER DRAWING			SCALE	SHEET	OF	REV	
-			4:1	2	2	A2	