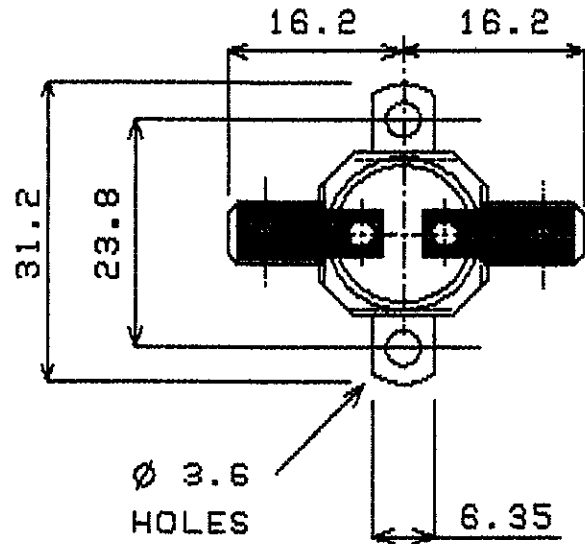
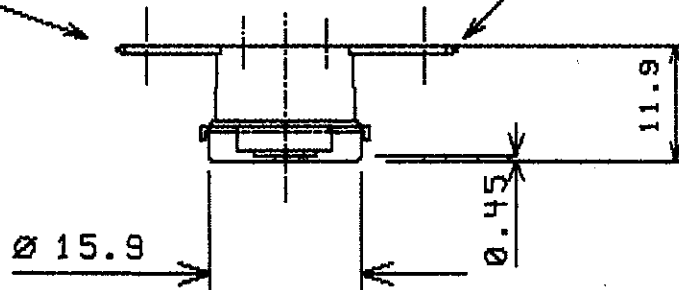


DO NOT SCALE ALL DIMENSIONS ARE FOR REFERENCE ONLY



6.35x0.8
Q.C.

6.35x0.8
Q.C.



OPERATING CRITERIA

VOLTS: 240 AMPS: 10 HZ:

OPERATING TEMPS. DEG. C

OPEN: 20 ± 3
CLOSE: 35 ± 5

NOTE: ORIENTATION OF BRACKET IS NOT FIXED

ENCODING REQUIREMENTS

OUR: LASER CODE
RP 9100 442 XXX

DATE CODE

CAP: B200 MAT'L: ALUMINIUM
BRK'T: B2036 MAT'L: STEEL
..... PLATING: NICKEL
TERMINAL: T146 T146
MATERIAL: BRASS BRASS
PLATING:

ISSUE	A	B							
MOD No	3052	3050							
MTH/YR	3/97	7/98							

ELMWOOD DEVICE & UNIQUE PART No.	ELMWOOD DRG No.	ISSUE
2455RP-9100-442	965210	B



ELMWOOD
SENSORS LTD

DATE OF ISSUE STAMP

Deliver
THP