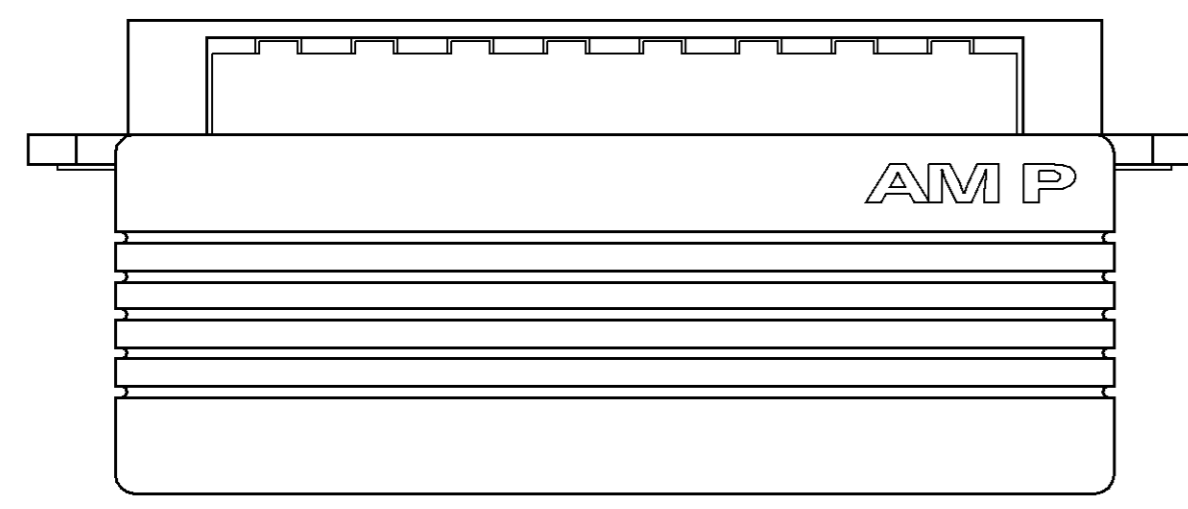
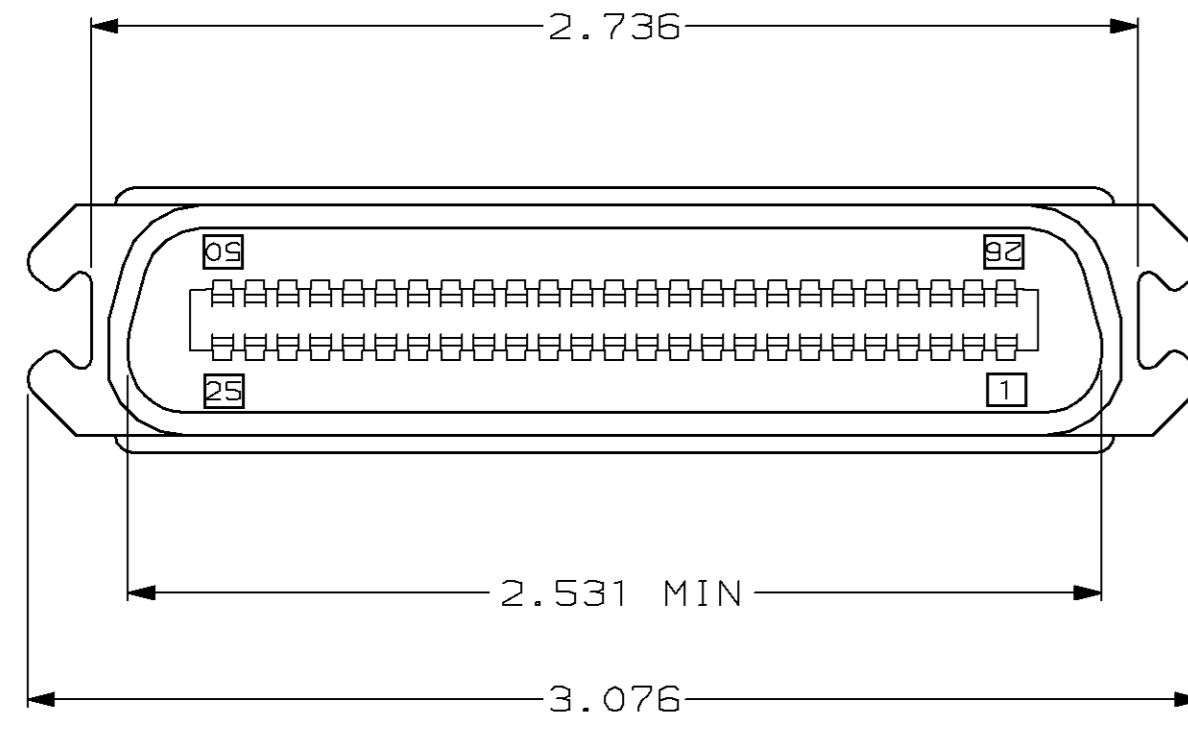
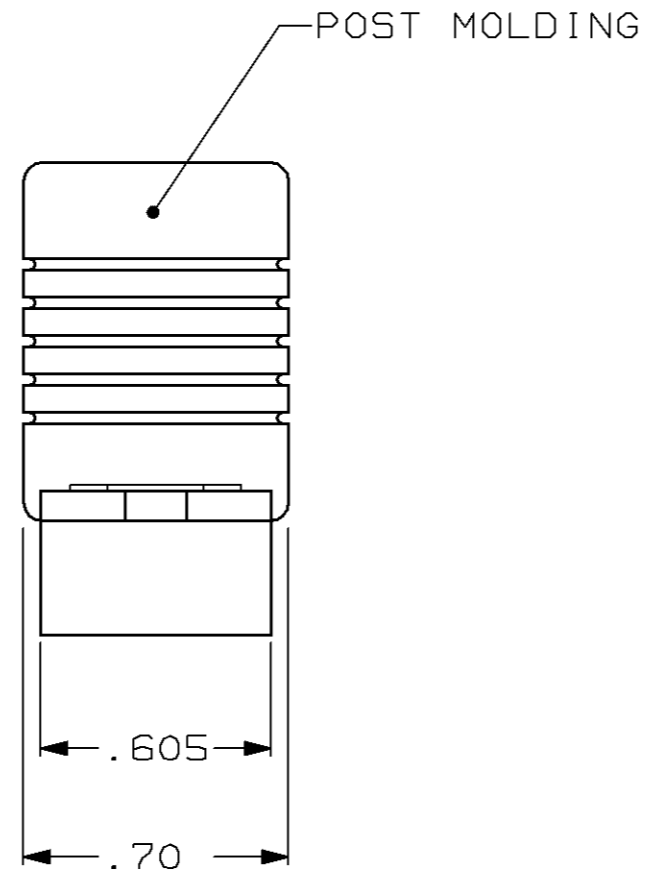
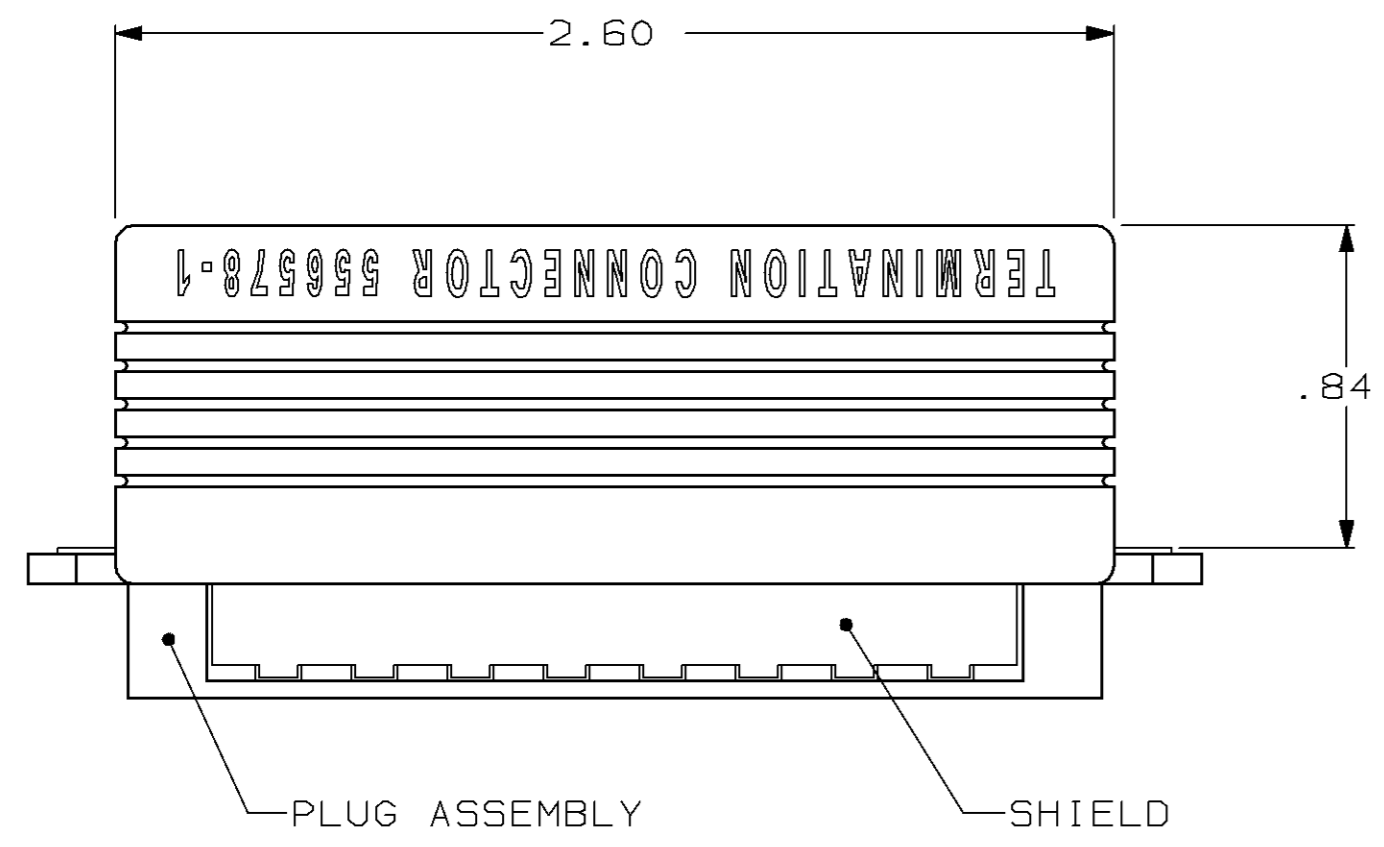
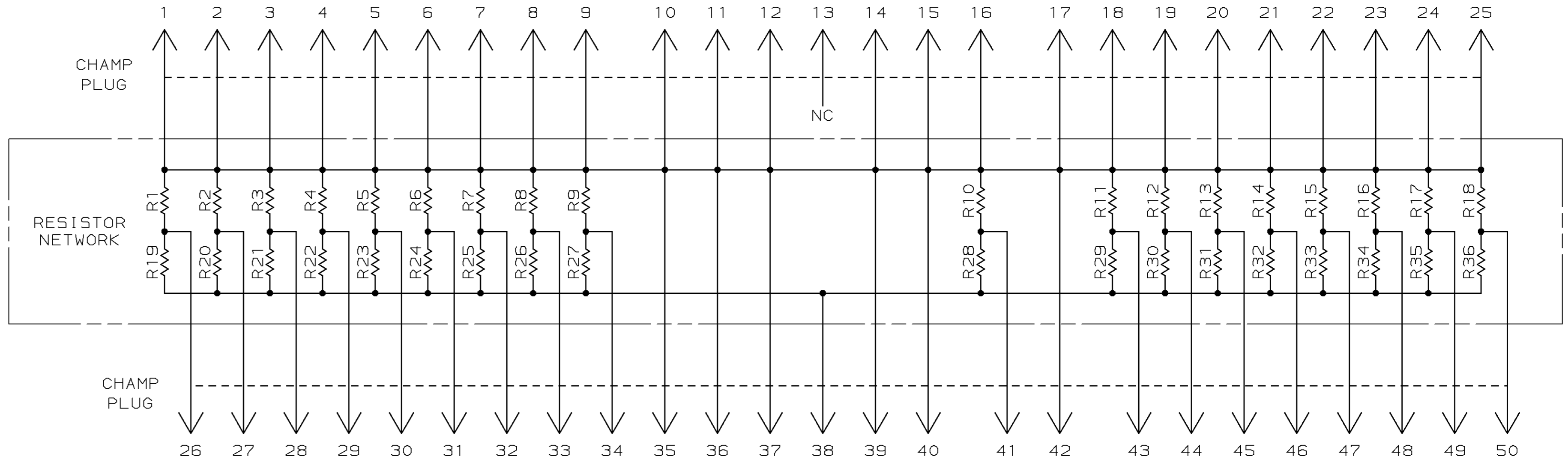


LOC		DIST		REVISIONS				
BD	62	P	F	ZONE	LTR	DESCRIPTION	DATE	APPD
				A		REV; ECN AA-6986	7-24-90	SA AH
				B		REV PER EC 0020-0847-94	07/28/94	SB



- ⚠ MATERIALS:  
 HOUSING- POLYPHENYLENE, BLACK.  
 SHIELD- BRIGHT NICKEL PLATED CARBON STEEL.  
 TERMINALS- .010 THICK PHOS BRONZE PLATED WITH .000030 MINIMUM GOLD ON MATING SURFACE OVER .000050 MINIMUM THICK NICKEL UNDERPLATE.  
 POST MOLDING COMPOUND- PVC, BLACK.
- ⚠ ALL DIMENSIONS SHOWN ARE MAXIMUM UNLESS OTHERWISE SPECIFIED.
3. THE CONTACT SURFACE OF THE TERMINALS ARE COATED WITH LUBRICANT.
4. TERMINALS LOCATED ON .085 CENTERS.
- ⚠ UNLESS OTHERWISE SPECIFIED RESISTOR VALUES ARE IN OHMS.  
 R1-R18: 330, ±5%, .10W  
 R19-R36: 220, ±5%, .10W



ELECTRICAL SCHEMATIC ⚠

DO NOT SCALE PRINT. UNLESS SPECIFIED DIMENSIONS IN INCHES TOLERANCES ON:		DR 10-23-89 A. HOLT		556578-1 PART NO	
2 PLC DEC ±		CHK 11-2-89 B. FOX		AMP INCORPORATED Harrisburg, Pa. 17105	
3 PLC DEC ±		APPD 11-2-89 R. McCRAW			
ANGLES ±		APPD 11-2-89 J. WILKERSON		NAME PLUG ASSEMBLY, TERMINATOR, SINGLE ENDED, 50 POSITION, SHIELDED, CHAMP	
MATERIAL		PRODUCT SPEC		SIZE D	
FINISH		APPLICATION SPEC		CAGE CODE 00779	
WEIGHT				DRAWING NO 556578	
				SCALE 2:1	
				SHEET 1 OF 1	