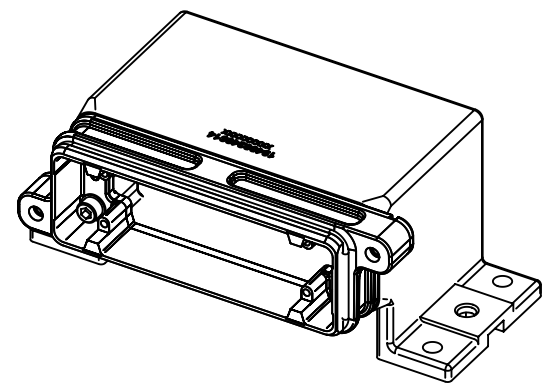
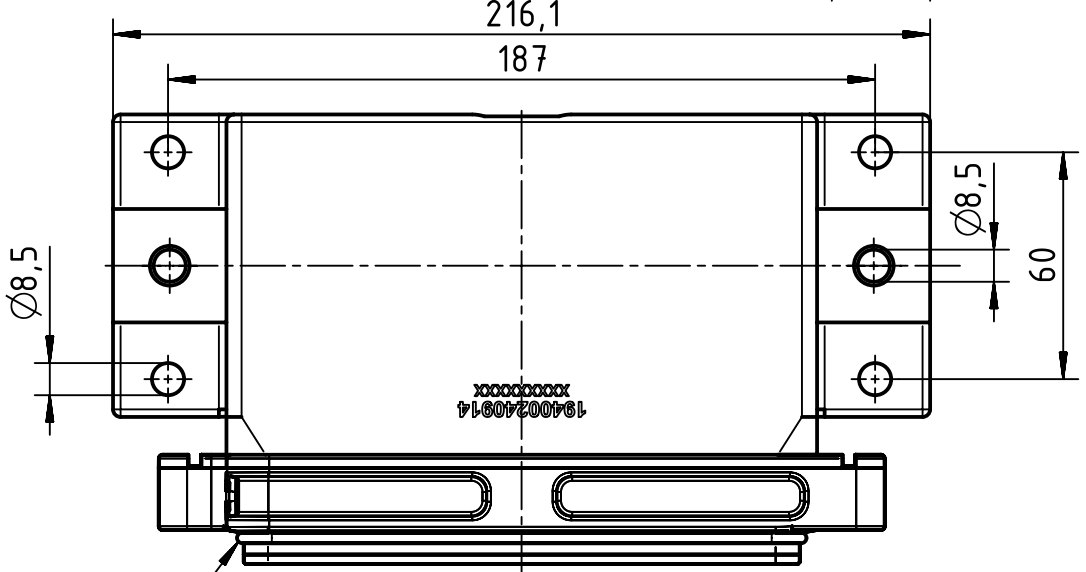
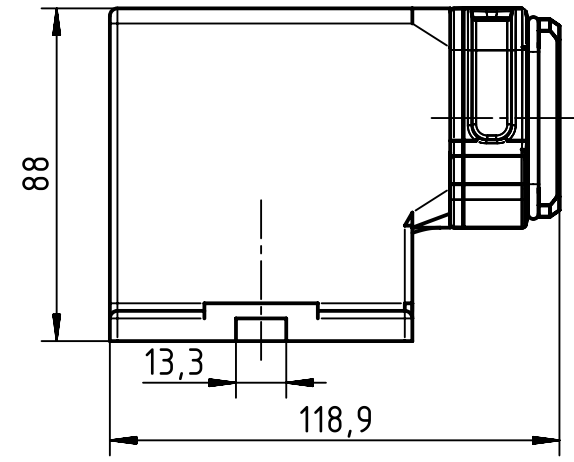
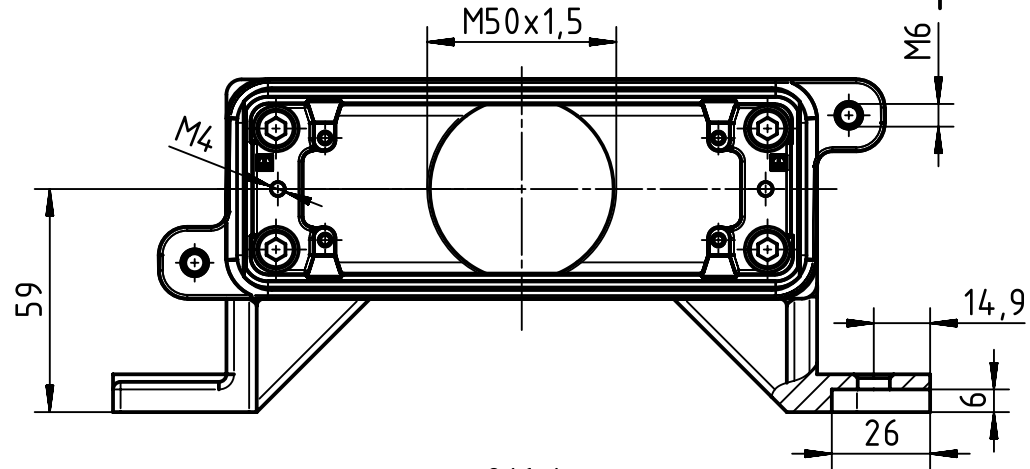



1 2 3 4 5 6



seal

	All Dimensions in mm Original Size DIN A4		Scale 1:2		Free size tol.		Ref. Sub. TB 19 40 024 0914 v. 22.02.12			
	All rights reserved Department EL PD - DE		Created by RULLKOETTER		Inspected by BERGHORN		Standardisation TIEMANNA			
HARTING Electric GmbH & Co. KG D-32339 Espelkamp		Title Han 24HPR-HSM angled-M50-Screw Lock					Date 2014-07-17		State Final Release	
		Type TB					Number 19 40 024 0914		Doc-Key / ECM-Nr. 100126102/UGD/006/B 500000077550	
							Rev. B		Page 1/1	