

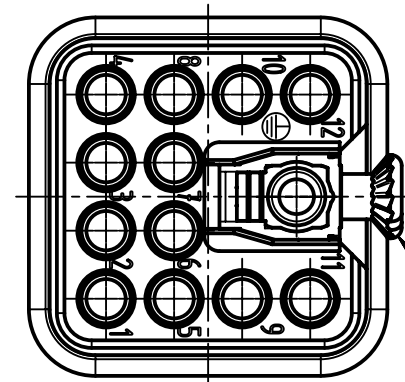
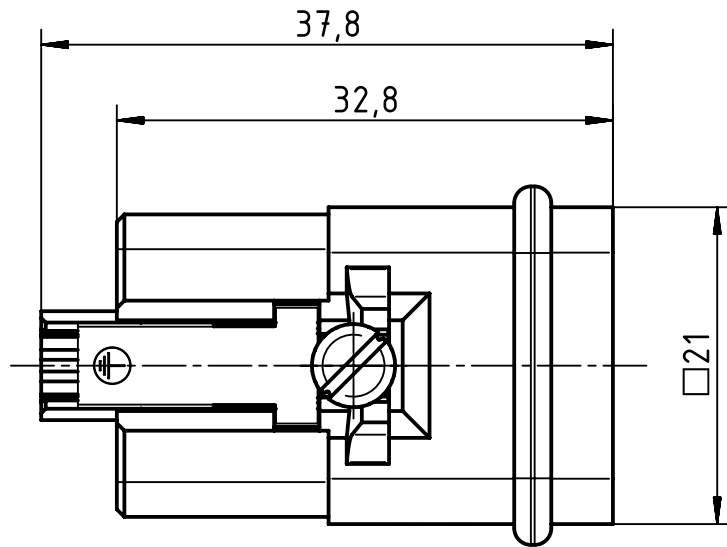
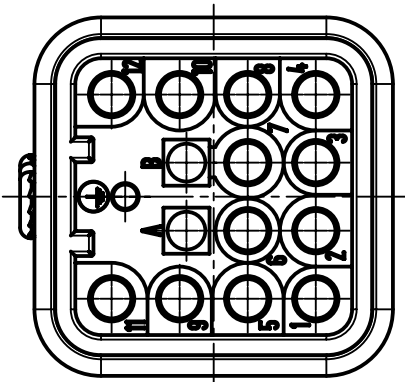
1 2 3 4 5 6

A

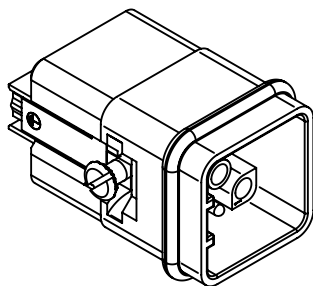
B


C

D



enclosed separately



	All rights reserved Department EL PD - DE	All Dimensions in mm Original Size DIN A4		Scale 2:1	Free size tol.		Ref.		
		HARTING Electric GmbH & Co. KG D-32339 Espelkamp		Created by FINKEV	Inspected by BERGHORN	Standardisation TIEMANNA	Date 2015-06-23	State Final Release	
Title PLASTIC INSERT Han 12/0 MALE 1,5mm ²							Doc-Key / ECM-Nr. 100216020/UGD/002/C 500000089309		
Type TB			Number 09 12 012 3004				Rev. C	Page 1/1	