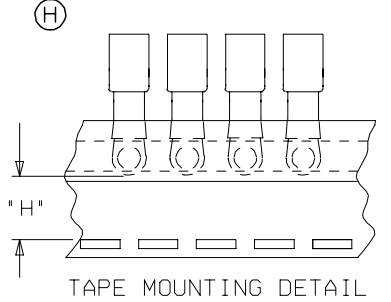
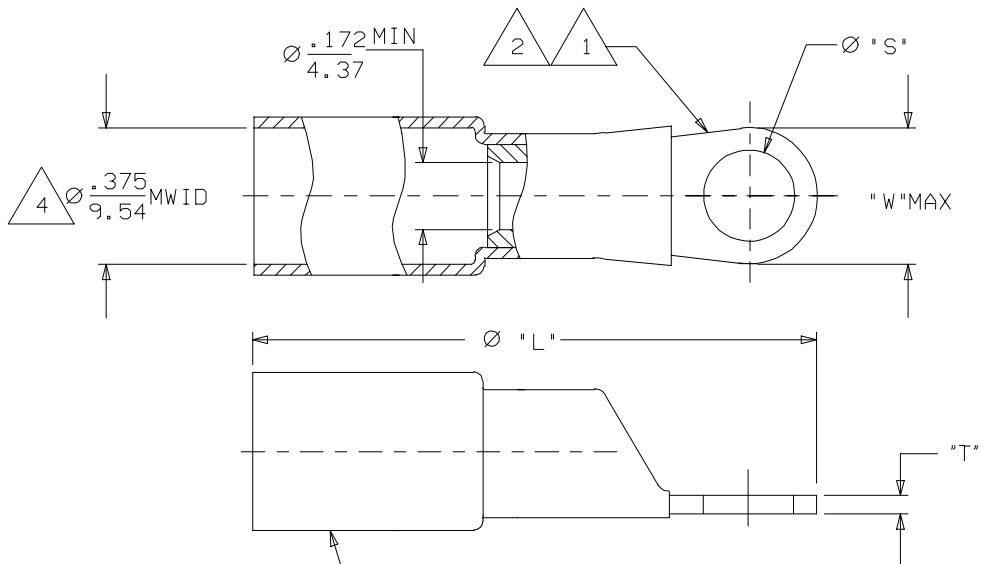


MATERIAL NUMBER	ENGINEERING NUMBER	MATERIAL NUMBER ON TAPE	ENGINEERING NUMBER ON TAPE	"L" MAX	"S" ±.010 (0.25)	"W" MAX	"H" ±.010 (0.25)	"T" REF
191640889	SD-656-08	N/A	N/A	1.60 (40.6)	.173 (4.39)	.38 (9.7)	N/A	.045/1.14
191640080	SD-656-10	N/A	N/A	1.60 (40.6)	.214 (5.44)	.38 (9.7)	N/A	.045/1.14
191640081	SD-651-14	191640603	SD-651-14T	1.79 (45.5)	.280 (7.11)	.60 (15.2)	.348 (8.84)	.045/1.14
191640083	SD-651-56	191640605	SD-651-56T	1.79 (45.5)	.343 (8.71)	.60 (15.2)	.348 (8.84)	.045/1.14
191640082	SD-652-38	N/A	N/A	2.05 (51.1)	.405 (10.29)	.82 (20.8)	N/A	.050/1.27
191640839	SD-652-76	N/A	N/A	2.05 (52.1)	.468 (11.89)	.82 (20.8)	N/A	.050/1.27
191640457	SD-652-12	N/A	N/A	2.05 (52.1)	.530 (13.46)	.82 (20.8)	N/A	.050/1.27



NOTE(S):

- 1 TERMINAL MATERIAL: COPPER ALLOY.
- 2 FINISH: ELECTRO TIN PLATE.
- 3 INSULATION MATERIAL: HEAT SHRINKABLE TUBING WITH HOTMELT ASHESIVE INNER LINER. COLOR: RED.
- 4 MWID - MAXIMUM WIRE INSULATION DIAMETER.
- (H) 5. ASSEMBLY IS ROHS COMPLIANT.

CHARTED DIM. T & ADDED ROHS EC NO: ETC2007-0019 2007/08/22 DRW: NEHLE 2007/09/11 CHKD: JMACNEIL 2007/09/11 APPR: JMACNEIL 2007/09/19	QUALITY SYMBOLS	GENERAL TOLERANCES (UNLESS SPECIFIED)	DIMENSION STYLE IN/MM	SCALE 4:1	DESIGN UNITS INCH	THIRD ANGLE PROJECTION																		
	$\nabla=0$ $\nabla=0$	<table border="1"> <thead> <tr> <th></th> <th>mm</th> <th>INCH</th> </tr> </thead> <tbody> <tr> <td>4 PLACES</td> <td>±----</td> <td>±----</td> </tr> <tr> <td>3 PLACES</td> <td>±----</td> <td>±----</td> </tr> <tr> <td>2 PLACES</td> <td>±----</td> <td>±----</td> </tr> <tr> <td>1 PLACE</td> <td>±----</td> <td>±----</td> </tr> <tr> <td colspan="3">ANGULAR ±---°</td> </tr> </tbody> </table>		mm	INCH	4 PLACES	±----	±----	3 PLACES	±----	±----	2 PLACES	±----	±----	1 PLACE	±----	±----	ANGULAR ±---°			DRAWN BY: R DEROSS DATE: 2005/01/04 CHECKED BY: R DEROSS DATE: 2005/01/04 APPROVED BY: R DEROSS DATE: 2005/01/04	TITLE	RING TONGUE TERMINAL PERMA-SEAL SD-600-SERIES 8 AWG	
		mm	INCH																					
	4 PLACES	±----	±----																					
3 PLACES	±----	±----																						
2 PLACES	±----	±----																						
1 PLACE	±----	±----																						
ANGULAR ±---°																								
DRAFT WHERE APPLICABLE MUST REMAIN WITHIN DIMENSIONS	SEE CHART	MATERIAL NO. SD-19164-023	MOLEX INCORPORATED		SHEET NO. 1 OF 1																			
THIS DRAWING CONTAINS INFORMATION THAT IS PROPRIETARY TO MOLEX INCORPORATED AND SHOULD NOT BE USED WITHOUT WRITTEN PERMISSION																								