

NOTES:

1. MATERIALS AND FINISHES:

- FERRULE - COPPER, NICKEL PLATING
- BODY - BRASS, NICKEL PLATING
- CONTACT PIN - PHOSPHOR BRONZE, GOLD PLATING
- INSULATOR - PTFE, NATURAL

2. ELECTRICAL:

- A. IMPEDANCE: 75 OHM
- B. FREQUENCY RANGE: DC - 3 GHz
- C. VSWR: 1.15, MAX.
- D. D.W.V: 1500 VRMS, MIN.

3. MECHANICAL:

- A. DURABILITY: 500 CYCLES MIN.
- B. TEMPERATURE RANGE: -65°C TO +165°C

4. CRIMPED FERRULE HEX. CRIMP SIZE .213"

5. CONTACT PIN TO SOLDER

6 SHOWS CABLE ENTRY DIMENSIONS

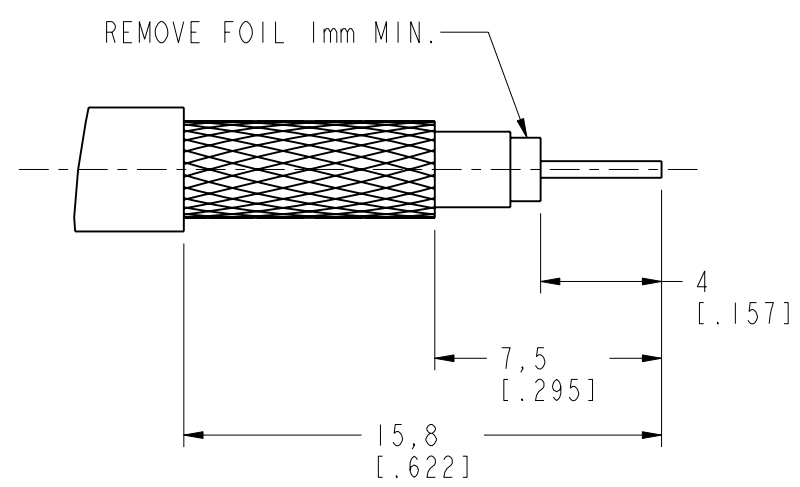
7. PACKAGING:

- A. QUANTITY: SINGLE PACK
- B. BAG TO BE MARKED: AMPHENOL RF  
112989  
DATE CODE

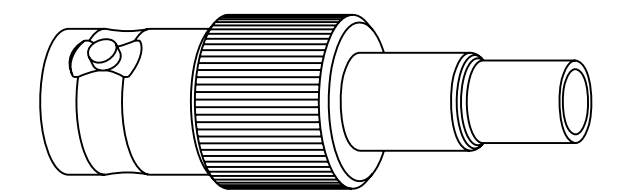
THIRD ANGLE PROJ.

REVISIONS

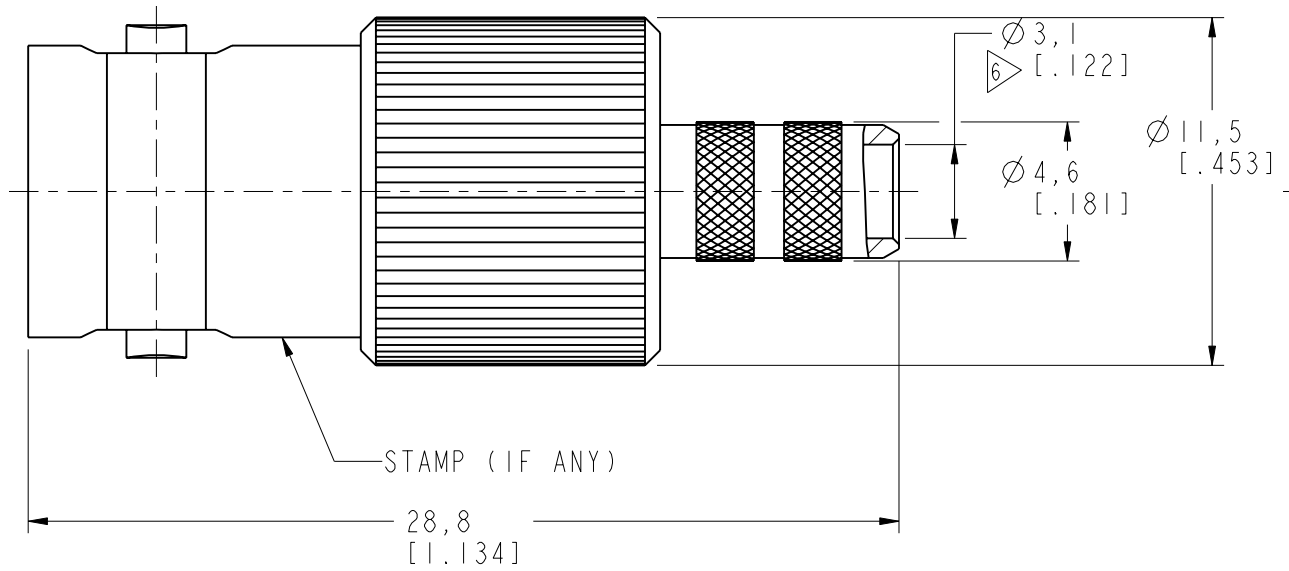
REV	DESCRIPTION	DATE	ECO	APPR
NC	INITIAL RELEASE	10-Jun-09	----	MZ
C	SYNC, THE CONTACT BARB O.D. WAS CHANGED RD-DMI6010701M	14-Jan-16	50959	SH



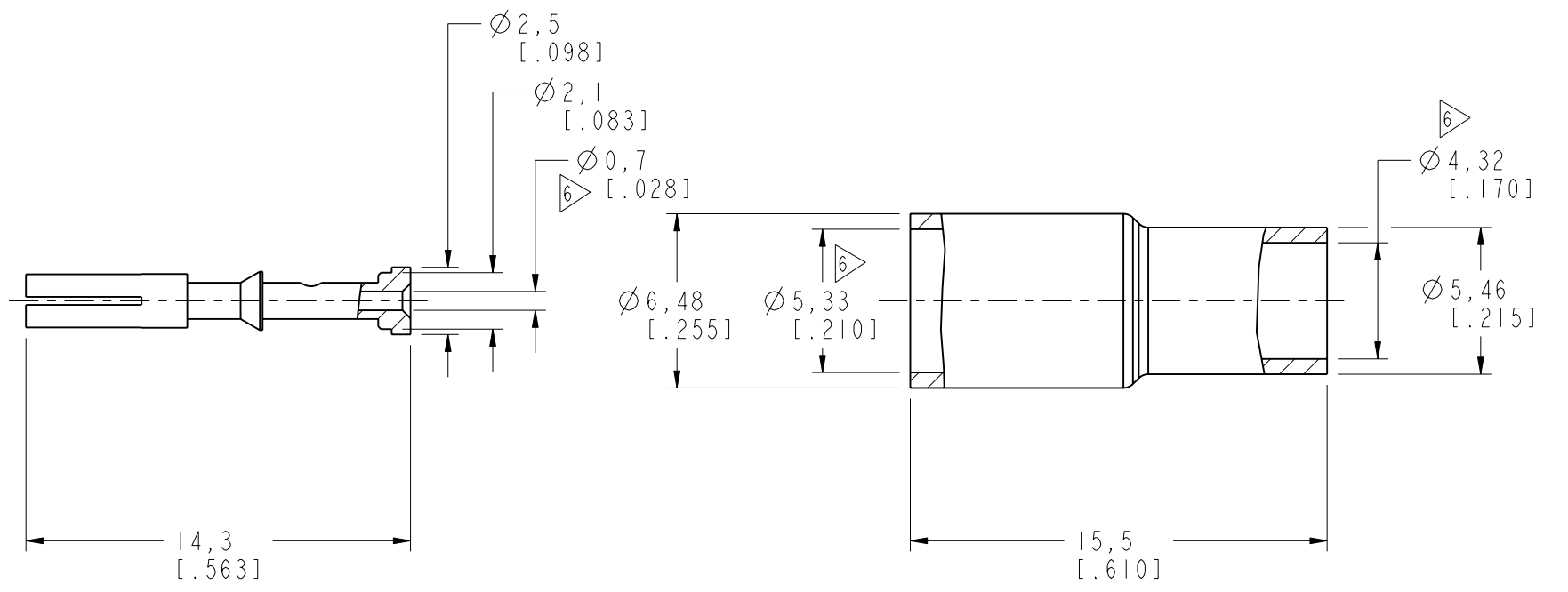
RECOMMENDED  
CABLE STRIPPING DIM'S



SCALE 2.000



STAMP (IF ANY)



**CUSTOMER OUTLINE DRAWING**  
ALL OTHER SHEETS ARE FOR INTERNAL USE ONLY

<p>UNLESS OTHERWISE SPECIFIED, DIMENSIONS ARE IN METRIC AND TOLERANCES ARE:                  &lt;0.5mm ±0.05mm    0.5 - 6mm ±0.1mm    6 - 30mm ±0.2mm    30 - 120mm ±0.3mm    ANGLES ±1°</p> <p>NOTICE - These drawings, specifications, or other data (1) are, and remain the property of Amphenol corp. (2) must be returned upon request; and (3) are confidential and not to be disclosed to any person other than those to whom they are given by Amphenol Corp. the furnishing of these drawings, specifications, or other data by Amphenol Corp., or to any other person to anyone for any purpose is not to be regarded by implication or otherwise in any manner licensing, granting rights to permitting such holder or any other person to manufacture, use or sell any product, process or design, patented or otherwise, that may in any way be related to or disclosed by said drawings, specifications, or other data.</p>	MATERIAL	DRAWN M. ZHANG	DATE 14-Jan-16	TITLE BNC CRIMP JACK (FOR BELDEN 1855A CABLE)	Amphenol RF www.amphenolrf.com
	REFERENCE AND CONFIGURATION LEVEL: In Work	ENGINEER C. WANG	DATE 14-Sep-09		
	FINISH	APPROVED S. HSIEH	DATE 14-Jan-16	SCALE: 4.0:1.0 SHEET 3 OF 3	ITEM NO. 016121ABS17NA7F
			CAD FILE	DWG SIZE B	REV C