

Model No: SLS-P830669

Rev: 1

Product Line: Peerless

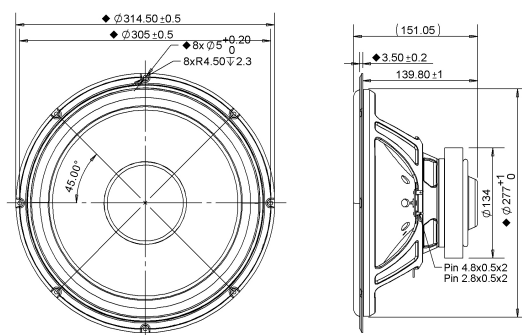
Last Update: 2017-04-21 12:39:42

Product Description

The SLS line combines high quality performance with an affordable design. This 12 inch 8 ohm member of the SLS family features a rigid steel basket, a coated paper cone, and a ferrite magnet motor with aluminium shorting ring for improved distortion performance.



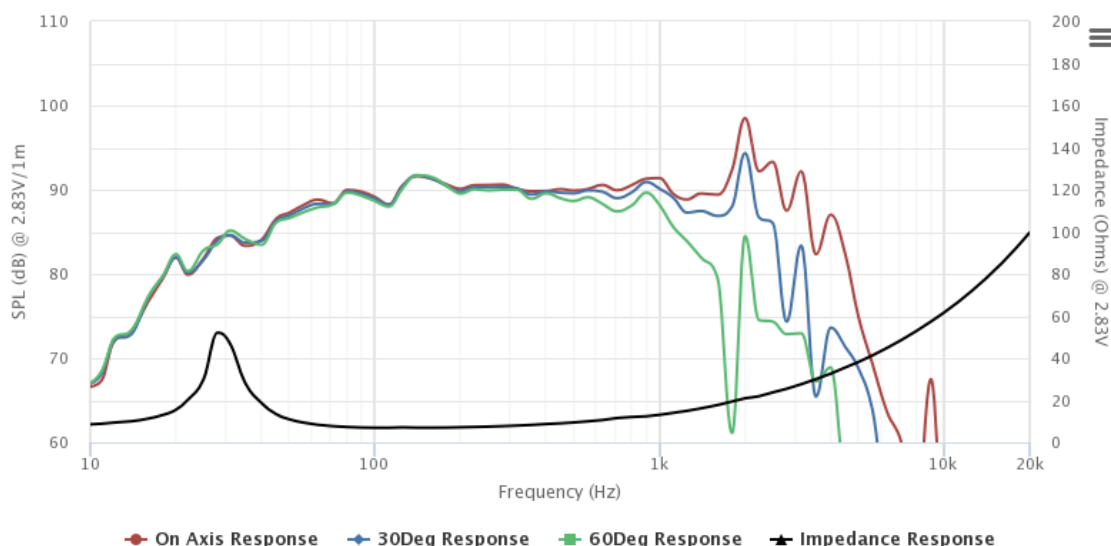
Mechanical Drawing



Specifications

| | | | | | | | |
|-------------------------------|-------------|--------|-------|-----------|----------------------------|------|--------------|
| DC Resistance | Revc | Ohms | 5.6 | 5.0% | Energy Bandwidth Product | EBP | (1/Qes)*fs |
| Minimum Impedance | Zmin | Ohms | 6.95 | 7.5% | Moving Mass | Mms | g |
| Voice Coil Inductance | Le | mH | 1.12 | | Suspension Compliance | Cms | um/N |
| Resonant Frequency | Fs | Hz | 31.48 | 15% | Effective Cone diameter | D | cm |
| Mechanical Q Factor | Qms | | 7.07 | | Effective Piston Area | Sd | cm^2 |
| Electrical Q Factor | Qes | | 0.58 | | Effective Volume | Vas | L |
| Total Q Factor | Qts | | 0.54 | | Motor Force Factor | BL | Tm |
| Ratio Fs/Qts | F | Fs/Qts | 58.51 | | Motor Efficiency Factor | β | (T*M^2)/Ohms |
| Half Space Sensitivity @2.83V | db@2.83V/1M | dB | 89.85 | +/- 1.0db | Voice coil former Material | VCfm | GSV |
| Half Space Sensitivity @1W/1M | db@1W/1M | dB | 89.2 | +/- 1.0db | Voice coil inner diameter | VCd | mm |
| Gap Height | Gh | mm | 8 | | Rated Noise Power | P | W |
| Maximum Linear Excursion | Xmax | mm | 8.3 | | Test Spectrum Bandwidth | | 30Hz - 2kHz |
| Ferrofluid Type | FF | | | | Driver Size | Inch | 12 in |
| Driver Mass | Kg | | 3.24 | | | | |

Frequency and Impedance Response



Highcharts.com