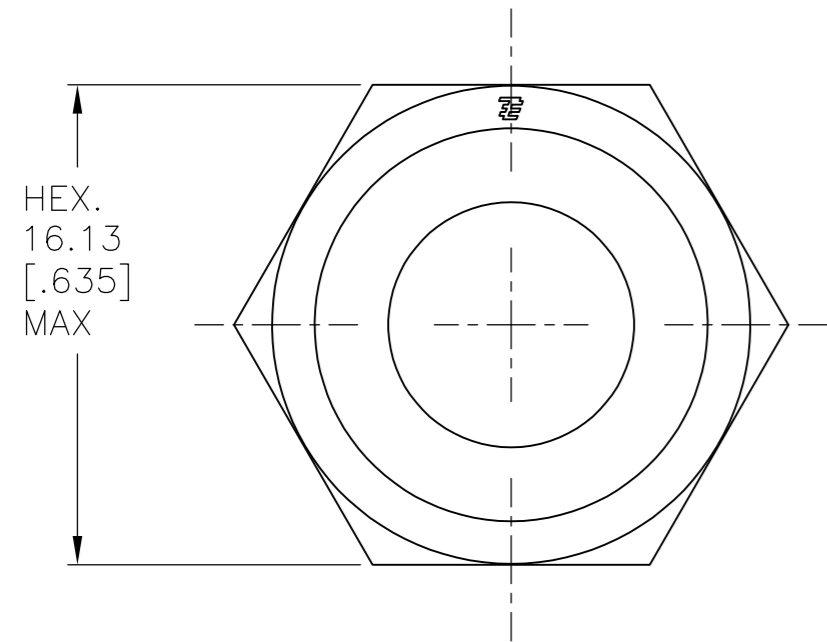
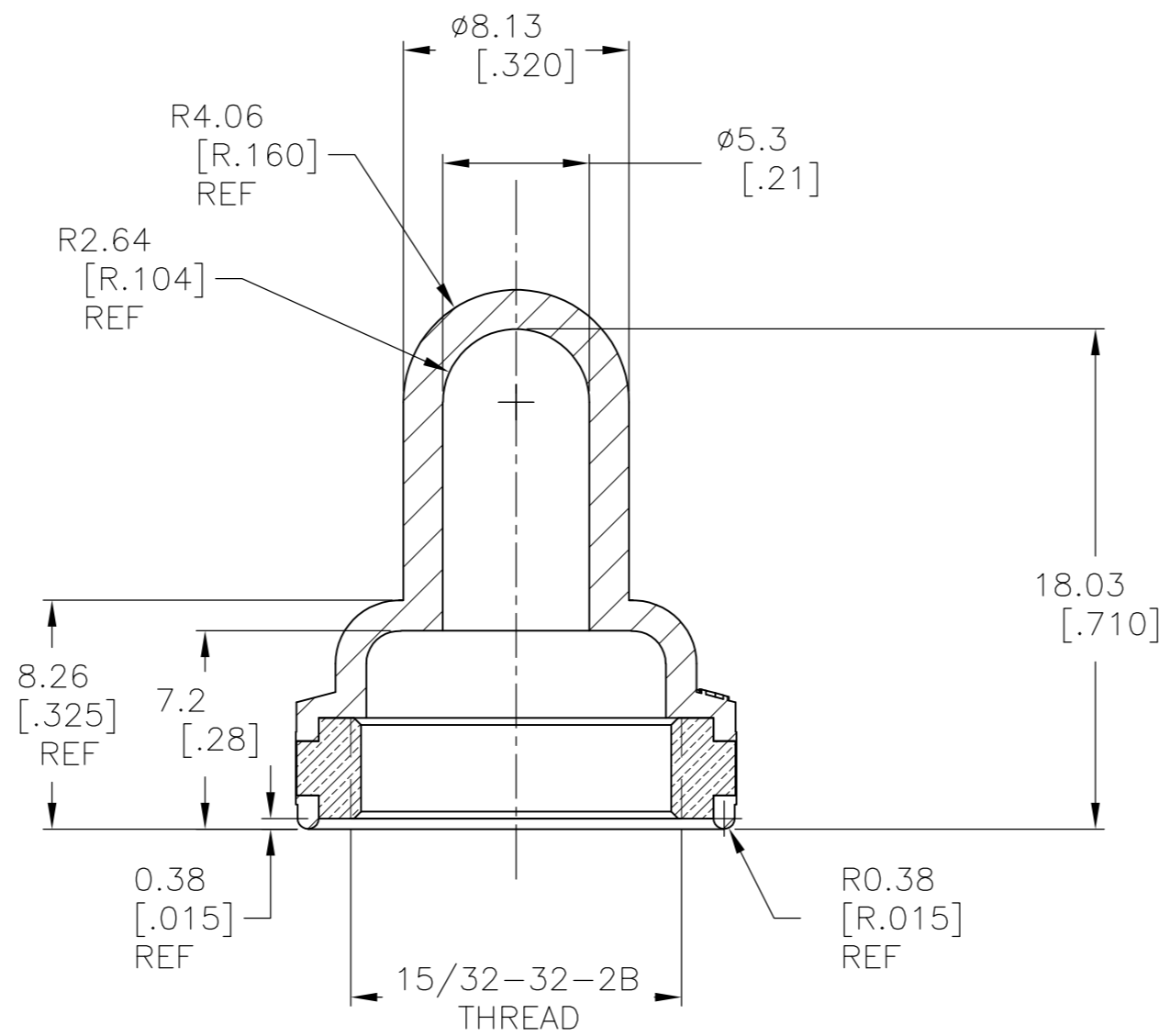
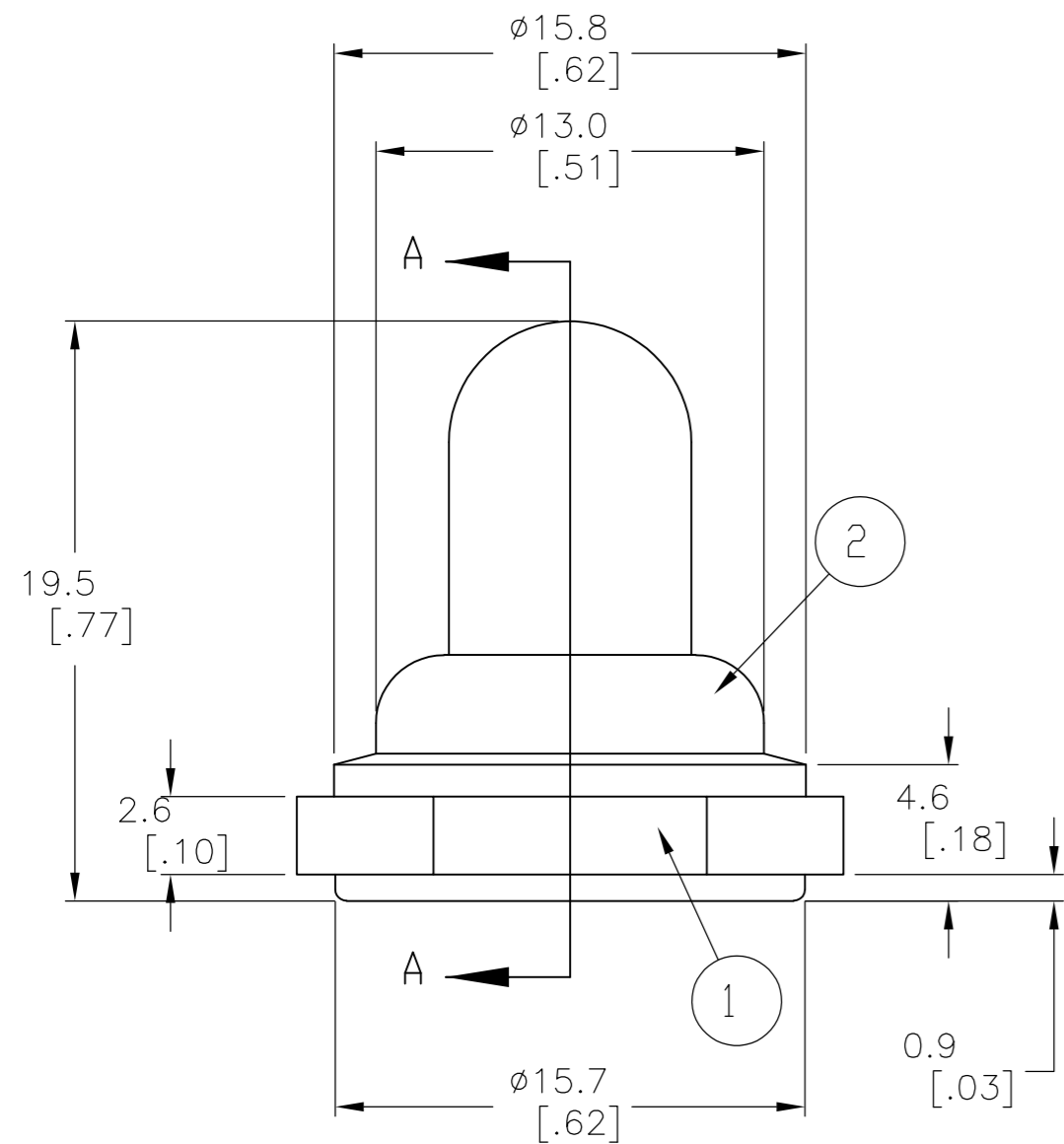
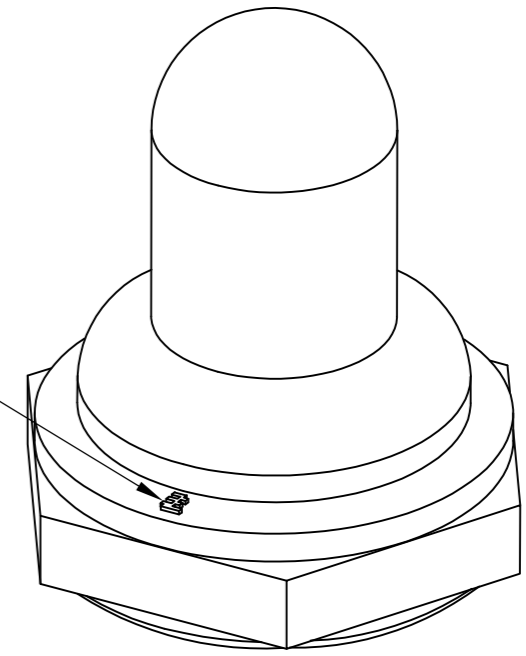


THIS DRAWING IS UNPUBLISHED. RELEASED FOR PUBLICATION
 © COPYRIGHT - By - ALL RIGHTS RESERVED.

LOC	DIST	REVISIONS			
P	LTR	DESCRIPTION	DATE	DWN	APVD
AD	00	A1	REVISED PER ECO-11-005027	14MAR11	RK HMR



TE SYMBOL
 RAISED 0.25 [.010]



SECTION A-A

- SOME DIMENSIONS MAY VARY DUE TO DIFFERENT COMPOUND SHRINKAGE FACTOR.
- MINOR FLASH ACCEPTABLE ON INSERT THREAD.
- BLACK FINISH/NICKEL PLATING ON INSIDE THREADS REMOVED DUE TO MOLDING PROCESS PERMITTED.
- RUBBER TO METAL BOND MUST MEET OR EXCEED THE TEAR STRENGTH OF RUBBER.
- RUBBER OVERLAY PERMISSIBLE OVER HEX FLATS AS SHOWN IN THE DRAWING.
- COMPONENTS MUST COMPLY WITH THE EUROPEAN DIRECTIVE 2002/95/EC ON RESTRICTION OF THE USE OF CERTAIN HAZARDOUS SUBSTANCES IN ELECTRICAL AND ELECTRONIC EQUIPMENT (ROHS DIRECTIVE).

ALCO P/N	PART NUMBER	HEX NUT MATERIAL	RUBBER BOOT MATERIAL
B1532004	1825602-1	BRASS, BLACK OXIDE PER MIL-F-495	SILICONE, COLOR BLACK
B1532204	1825602-2	BRASS, NICKEL PLATE PER QQ-N-290	SILICONE, COLOR RED
B1532804	1825602-3	BRASS, NICKEL PLATE PER QQ-N-290	SILICONE, COLOR GRAY

NO.	DESCRIPTION	DRAWING NO.	MATERIAL
①	NUT 15/32-32 UNS-2B	HEX NUT 15/32-32	BRASS, FINISH AS PER ABOVE TABLE
②	RUBBER BOOT	RUBBER BOOT	SILICONE PER ZZ-R-765, CLASS 3A, GRADE 50 COLOR AS PER ABOVE TABLE

THIS DRAWING IS A CONTROLLED DOCUMENT.		DWN R BROWN 09JAN2008					
DIMENSIONS: mm [INCHES]		CHK M WILBOURN 09JAN2008					
TOLERANCES UNLESS OTHERWISE SPECIFIED:		APVD M WILBOURN 09JAN2008	NAME 15/32-32 TOGGLE SWITC H BOOT SEAL				
0 PLC ± - 1 PLC ± - 2 PLC ± 0.25 [.010] 3 PLC ± 0.13 [.005] 4 PLC ± - ANGLES ± 5°		PRODUCT SPEC	SIZE	CAGE CODE	DRAWING NO	RESTRICTED TO	
MATERIAL		FINISH	WEIGHT	A2	00779	C=1825602	-
		CUSTOMER DRAWING	SCALE	4:1	SHEET	1 OF 1	REV A1