

THIS DRAWING IS UNPUBLISHED.

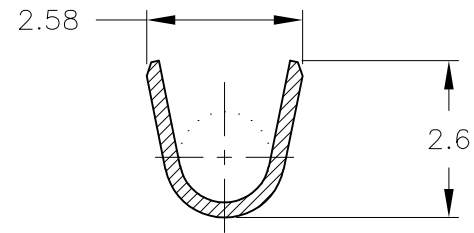
RELEASED FOR PUBLICATION

ALL RIGHTS RESERVED.

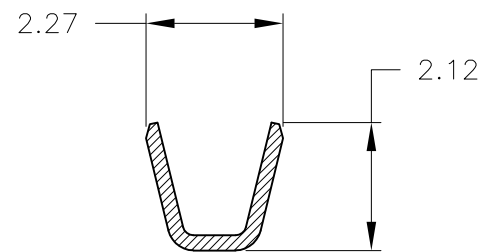
© COPYRIGHT - By -

LOC	DIST
J	-

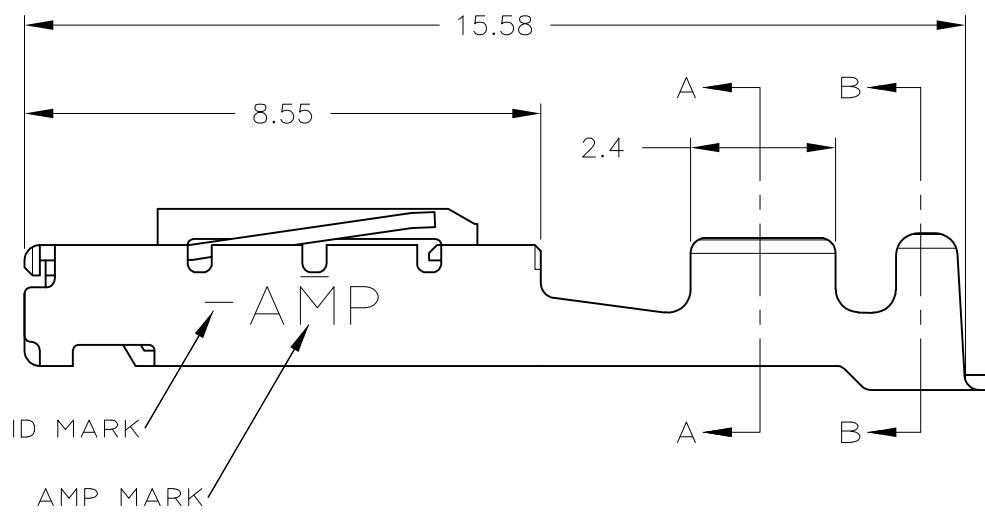
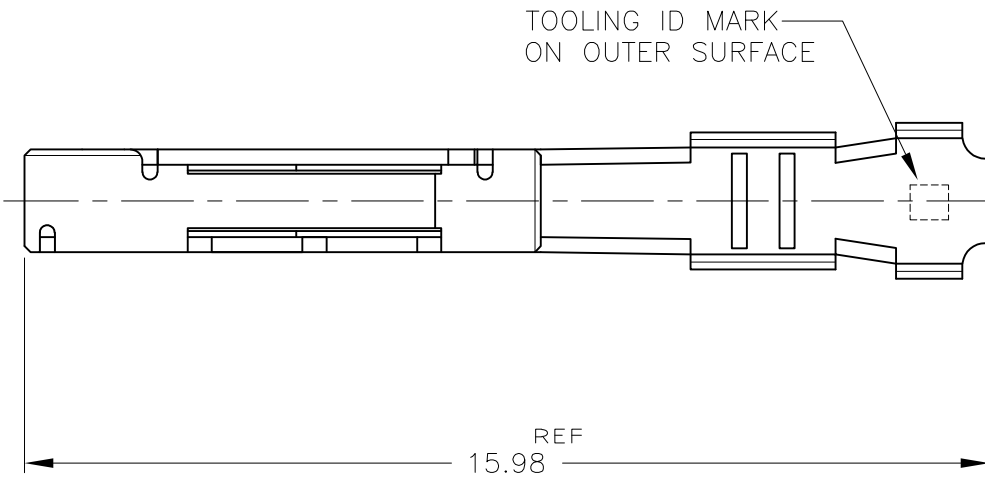
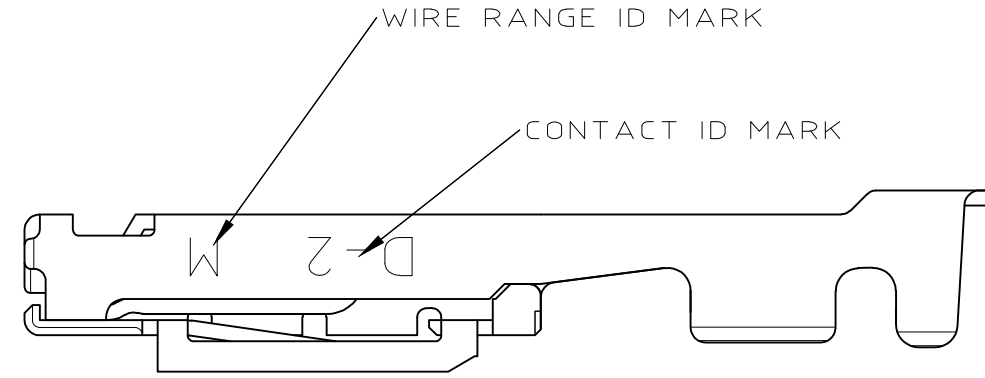
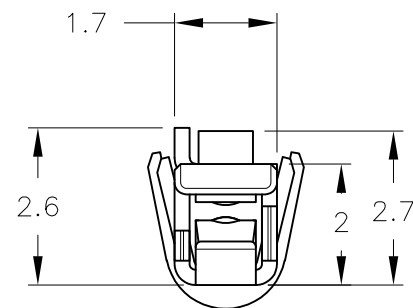
REVISIONS					
P	LTR	DESCRIPTION	DATE	DWN	APVD
D		REVISED PER ECR-15-011723	08AUG2015	Y.O	E.T
E		REVISED PER ECR-16-016514	23NOV2016	K.T	E.T



SECT B-B



SECT A-A



-1:AS SHOWN

NOTES


- 1. FINISH(CONTACT AREA):0.38μmMIN GOLD PLATING OVER Ni PLATING

THIS DRAWING IS A CONTROLLED DOCUMENT.

DIMENSIONS: mm	TOLERANCES UNLESS OTHERWISE SPECIFIED: ±0.3 >10 : ±0.35 >30 : ±0.4 ANGLE : ±3°
-------------------	--

MATERIAL (COPPER ALLOY)

FINISH SEE NOTE

DWN K.IKEDA 7/DEC/'98	INSULATION DIA 1.26 ~ 1.90
CHK N.MATSUBARA 7/DEC/'98	 TE Connectivity
APVD I.HASEGAWA 7/DEC/'98	
PRODUCT SPEC 108-5619	NAME REC CONNCTACT M SIZE,L/P DYNAMIC D-2 SERIES
APPLICATION SPEC 114-5258	RESTRICTED TO -
WEIGHT	SIZE A3
CUSTOMER DRAWING	CAGE CODE 00779
	DRAWING NO C-1318107
	SCALE 8:1
	SHEET 1 OF 1
	REV E