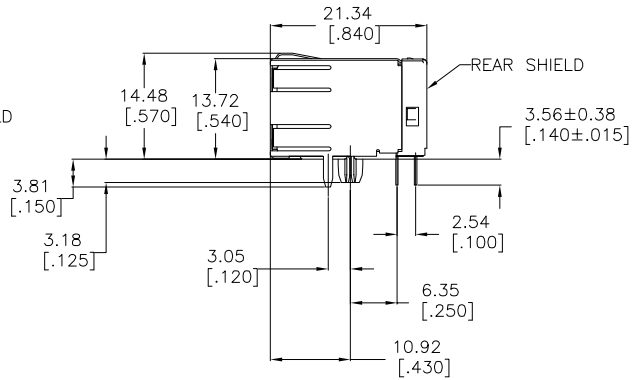
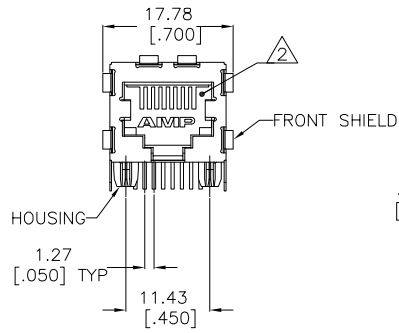


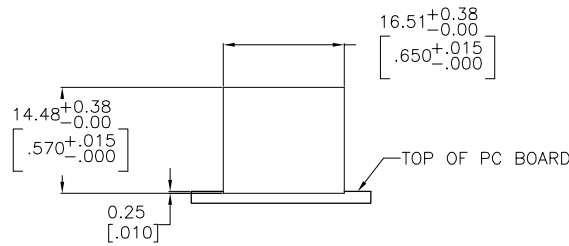
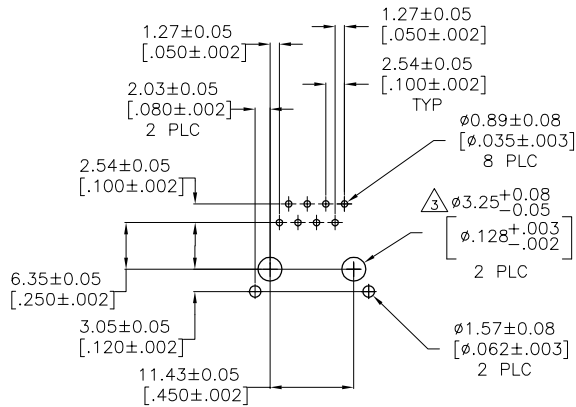
THIS DRAWING IS UNPUBLISHED. RELEASED FOR PUBLICATION
 © COPYRIGHT BY TYCO ELECTRONICS CORPORATION. ALL RIGHTS RESERVED.

LOC		DIST		REVISIONS			
P	LT/R	DESCRIPTION		DATE	DWN	APVD	
AA	00	C1	ECR-09-004284	16APR2009	TY	SY	



- MATERIAL: HOUSING - NYLON, COLOR: BLACK, UL 94V-0. OVERMOLDED TERMINAL ARRAY - PBT, BROWN. TERMINALS - 0.33[.013] THICK PHOS BRONZE PLATED WITH 1.27µm[.000050] MINIMUM HARD GOLD IN LOCALIZED AREA AND 3.81µm[.000150] MINIMUM TIN-LEAD IN SOLDER AREA OVER 1.27µm[.000050] MINIMUM NICKEL UNDERPLATE. SHIELD - 0.254[.010] THICK COPPER ALLOY PLATED WITH 1.27µm[.000050] MINIMUM NICKEL AND 2.03µm[.000080] MINIMUM HOT TIN DIP ON PCB GROUND TABS.

- △ JACK CAVITY CONFORMS TO FCC RULES AND REGULATIONS, PART 68 SUBPART F.
- △ USE #30 DRILL BIT OR 3.25mm DRILL BIT WHEN PRODUCING THESE PCB HOLES.
- 4. DIELECTRIC WITHSTANDING VOLTAGE BETWEEN SHIELD AND TERMINAL IS 1500 VAC



SUGGESTED PANEL CUTOUT

SUGGESTED PANEL CUTOUT

5406296-1
 PART NUMBER

THIS DRAWING IS A CONTROLLED DOCUMENT.		DRN: A.MAYER 18JAN2005	Tyco Electronics Corporation Harrisburg, PA 17105-3608	
DIMENSIONS: mm		CHK: J.WESTMAN 18JAN2005	NAME: S.FLICKINGER	
TOLERANCES UNLESS OTHERWISE SPECIFIED:		APVD: S.FLICKINGER 18JAN2005	PRODUCT SPEC: 108-1163-2	
0 PLC ± -		APPLICATION SPEC: 114-2048		SIZE: A2
1 PLC ± -		WEIGHT: -		CAGE CODE: 00779
2 PLC ± 0.25[.01]		FINISH: SEE NOTE 1		DRAWING NO: 5406296
3 PLC ± 0.13[.005]		SEE NOTE 1		RESTRICTED TO: -
4 PLC ± -		CUSTOMER DRAWING		SCALE: 2:1
ANGLES ± -		SHEET: 1 of 1		REV: C1

5406296