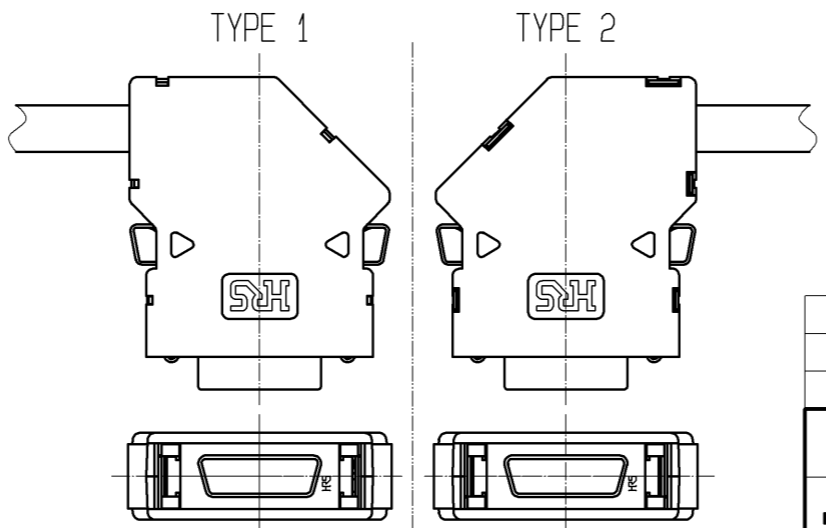


⑤ THE FIGURE OF CABLE EXIT DIRECTION(FREE)



- NOTE
- 1 PART No. ③ IS ASSEMBLED INTO PART No. ①.
 - 2 PART No. ② ④ AND ⑤ ARE NOT ASSEMBLED WHEN DELIVERED.
 - 2 OUTER DIAMETER OF APPLICABLE CABLE IS $\phi 9.2 \pm 0.3$.
 - 3 DIMENSIONS IN PARENTHESES ARE SHOWN AS REFERENCES.
 - 4 THIS PRODUCT IS THE COVER CASE FOR FI40B-20S(CL230-0518-7).
 - ⑤ CABLE EXIT DIRECTION DEPENDS ON THE WAY CONNECTOR UNIT IS ASSEMBLED.
 - ⑥ TAPPING SCREW TIGHTENING SHALL BE 0.22N·m.

2	PC	(GRAY) UL94V-0	5	STEEL	SURFACE AREA :NICKEL PLATING 2μm min UNDER AREA :COPPER PLATING 1μm min
1	PC	(GRAY) UL94V-0	4	STAINLESS STEEL	
			3	STAINLESS STEEL	
NO.	MATERIAL	FINISH . REMARKS	NO.	MATERIAL	FINISH . REMARKS
UNITS		SCALE	COUNT		DESCRIPTION OF REVISIONS
mm		2 : 1	△		DESIGNED
					CHECKED
					DATE
APPROVED : YH. ENAMI			10.02.26		
CHECKED : HO. MIWA			10.02.26		
DESIGNED : YH. MAMADA			10.02.25		
DRAWN : YH. MAMADA			10.02.25		
DRAWING NO.			EDC3-122397-01		
PART NO.			FI-20-CVS5(50)		
CODE NO.			CL230-0532-8-50		
			△ 1/1		