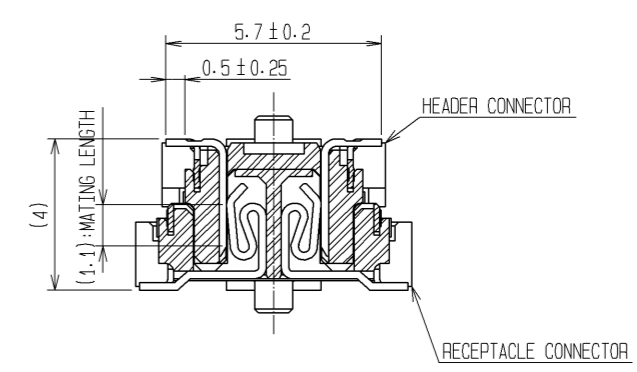
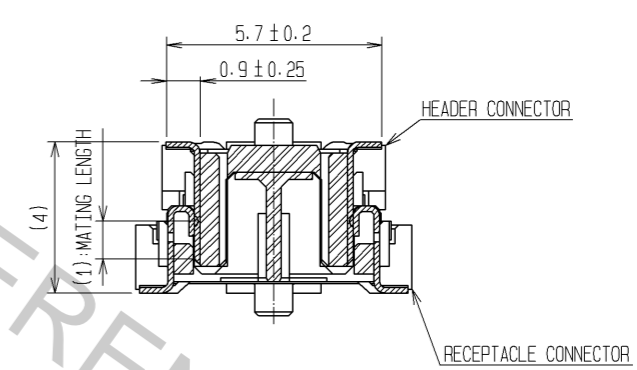


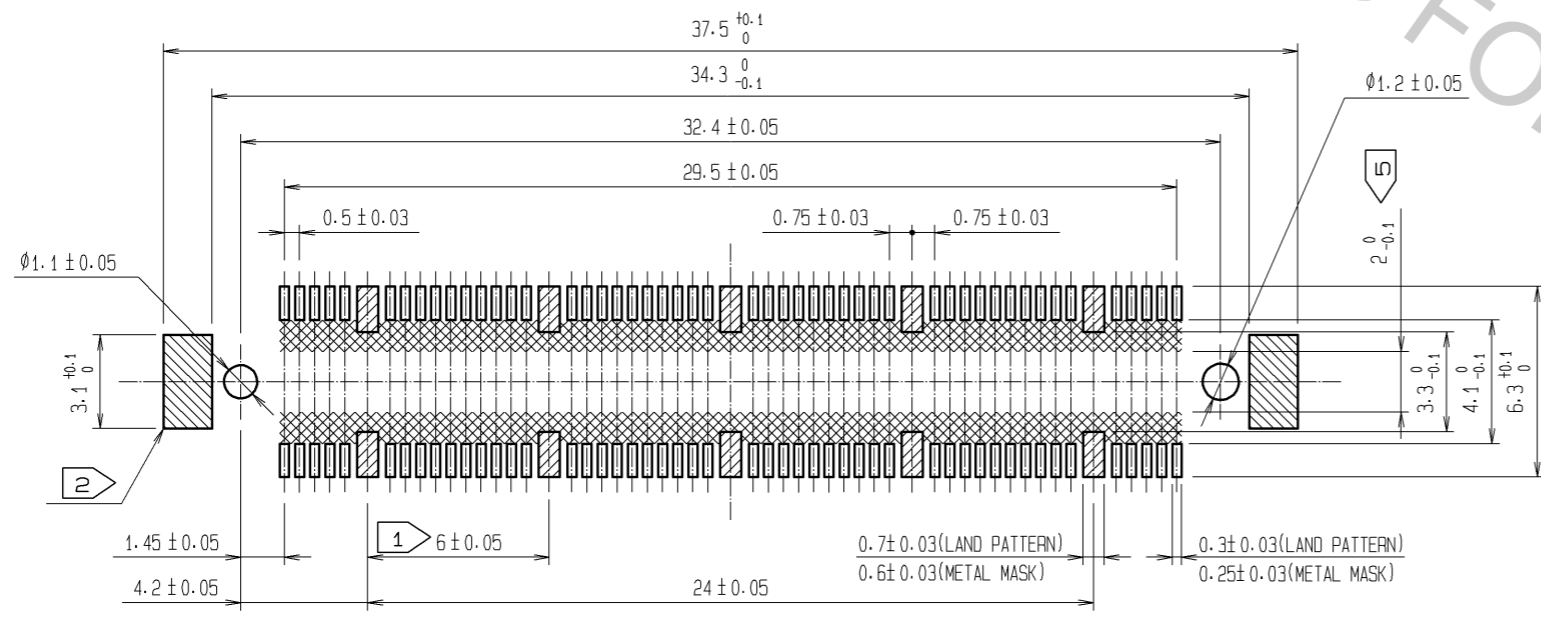
CROSS CUT SECTION - SIGNAL (5:1)



CROSS CUT SECTION - GROUND (5:1)



RECOMMENDED LAND PATTERN DIMENSION OF PCB
(RECOMMENDED METAL MASK THICKNESS: 0.15mm)

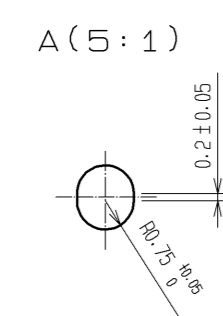
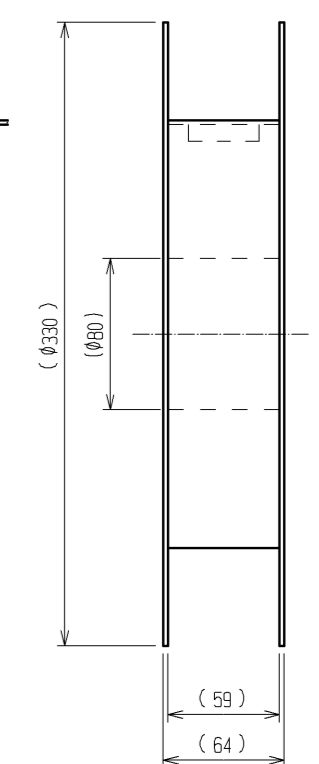
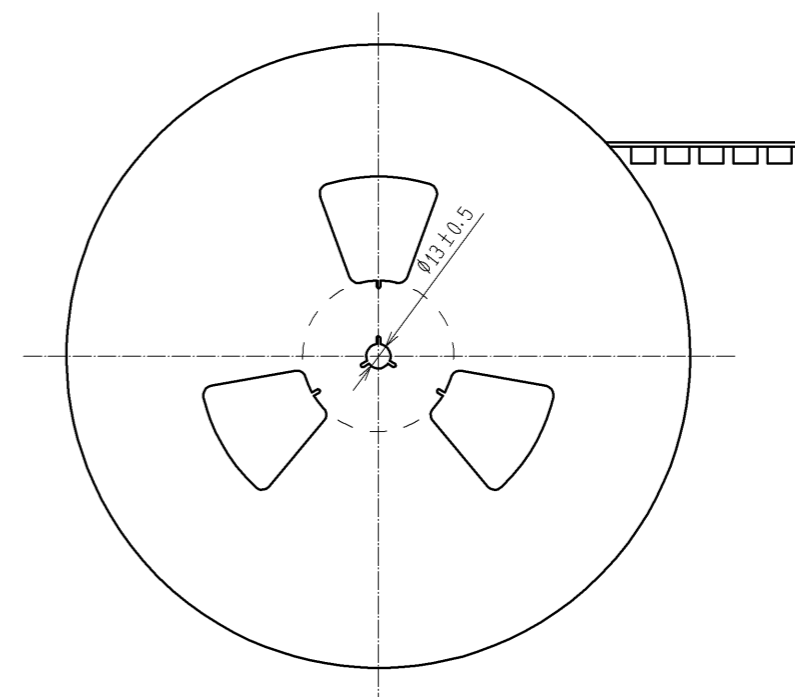
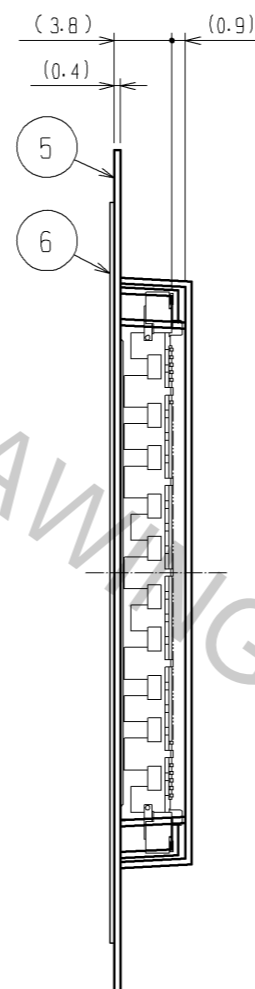
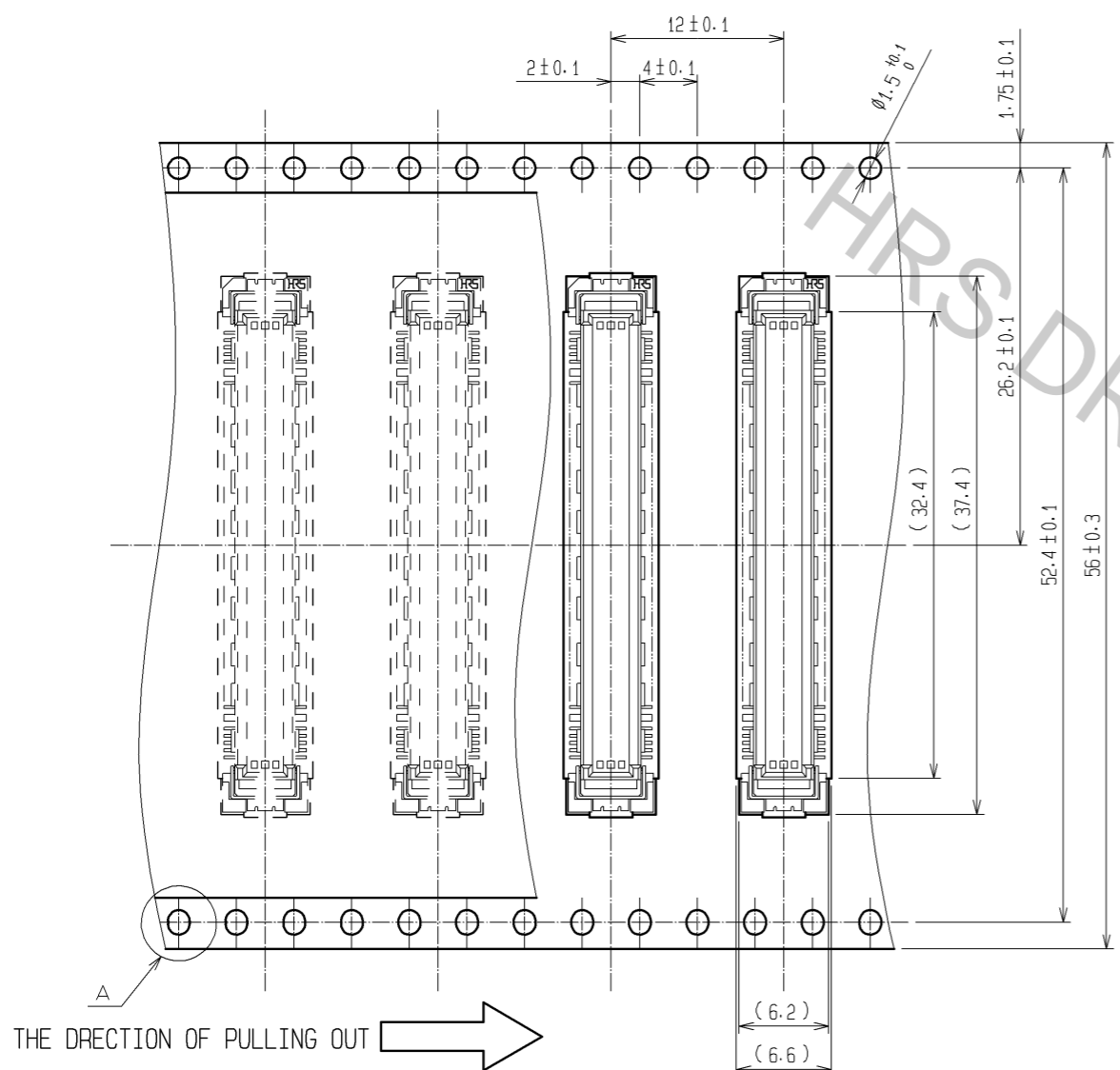


- NOTES
- ① 10 HATCHED PARTS: GROUND CIRCUIT.
 - ② 2 HATCHED PARTS: GROUND CIRCUIT.
 - ③ SMT LEAD-COPLANARITY: 0.1 MAX.
 - ④ THIS PRODUCT HAS NO POLARITY TO PATTERN FOR MOUNTING.
 - ⑤ MAKE SURE WIDTH OF PATTERN IS WITHIN THAT OF LAND, OR LEAD MAY TOUCH PATTERN. (THIS APPLIES TO HATCHED AREA.)
 - ⑥ EMBOSS CARRIER TAPE PACKAGE IS APPLIED ON THIS PRODUCT. PLEASE REFER TO THE SHEET 2/2 FOR THE DETAILS.
 - ⑦ THE DIMENSIONS IN PARENTHESES ARE FOR REFERENCE.

4	PHOSPHOR BRONZE	TIN-PLATING						
3	PHOSPHOR BRONZE	CONTACT AREA: GOLD 0.1μm min. LEAD AREA: TIN-PLATING 1μm min. UNDER PLATING: NICKEL 1μm min.						
2	PHOSPHOR BRONZE	TIN-PLATING	6	POLYESTER	TOP COVER TAPE			
1	LCP	BEIGE UL94V-0	5	POLYSTYRENE	EMBOSSED CARRIER TAPE			
NO.	MATERIAL	FINISH	REMARKS	NO.	MATERIAL	FINISH	REMARKS	
UNITS		SCALE	COUNT	DESCRIPTION OF REVISIONS		DESIGNED	CHECKED	DATE
mm		4:1	△					
HRS HIROSE ELECTRIC CO., LTD.		APPROVED: HS. OKAWA	10.08.04	DRAWING NO.		EDC3-151945-21		
		CHECKED: HT. YAMAGUCHI	10.08.04	PART NO.		FX10A-100P/10-SV(91)		
		DESIGNED: SY. KAMIGA	10.08.04	CODE NO.		CL570-0002-8-91		
		DRAWN: HK. SUNADORI	10.08.04			△ 1/2		

DRAWING FOR PACKING(2:1)

REELED DIMENSION(Free)



- NOTES
- 1 REEL : 1000 CONNECTORS.
 - 2 MINIMUM 10 COMPARTMENTS FROM BOTH REEL ENDS REMAIN EMPTY.
 - 3 THIS PRODUCT HAS NO POLAVITY TO TAPE AND REEL PACKAGING.
 - 4 THE DIMENSIONS IN PARENTHESES ARE FOR REFERENCE.

HRS	DRAWING NO.	EDC3-151945-21
	PART NO.	FX10A-100P/10-SV(91)
	CODE NO.	CL570-0002-8-91
		△ 2/2

Apr.1.2017 Copyright 2017 HIROSE ELECTRIC CO., LTD. All Rights Reserved.