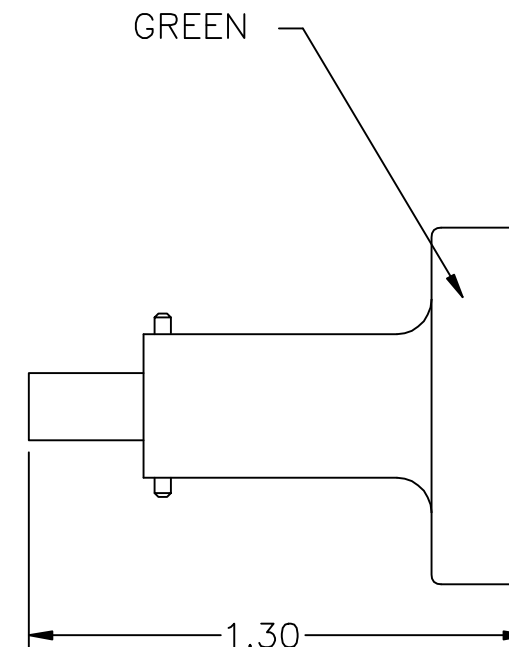
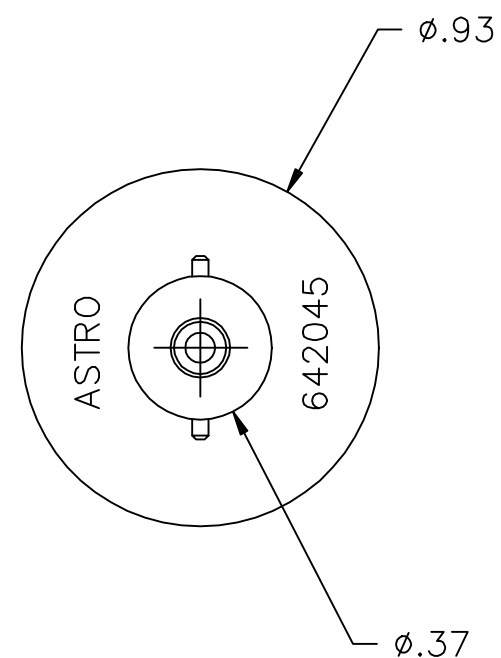
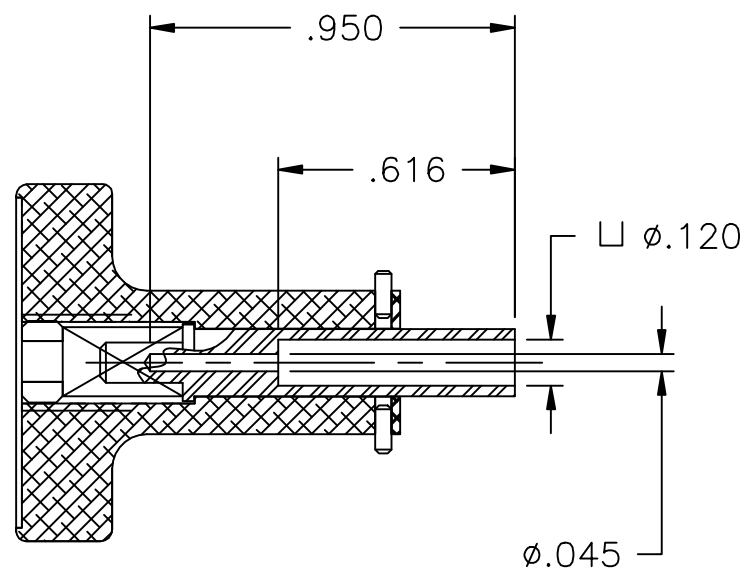
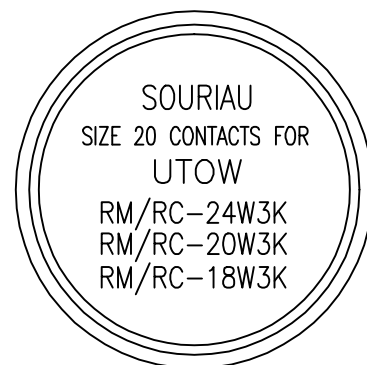


**UNCONTROLLED DOCUMENT  
WILL NOT BE UPDATED**



NOTES:  
 1. THIS IS AN AUTOCAD DRAWING, DO NOT CHANGE MANUALLY.  
 2. USE WITH 616336 (M22520/7-01) TOOL FRAME.

REV.	DESCRIPTION	BY	DATE	APR.
A	NEW RELEASE	DYO	11-08-11	MMK

THESE DRAWINGS, SPECIFICATIONS OR OTHER DATA ARE AND REMAIN, THE PROPERTY OF ASTRO TOOL CORP. AND MUST BE RETURNED UPON REQUEST. THEY CONTAIN INFORMATION OWNED AND/OR DEVELOPED BY ASTRO AT ITS OWN PRIVATE EXPENSE AND MAY NOT BE USED, DUPLICATED OR DISCLOSED TO OTHERS, IN WHOLE OR IN PART FOR DESIGN, MANUFACTURE OR PROCUREMENT WITHOUT THE WRITTEN PERMISSION OF ASTRO TOOL CORP. EACH AND EVERY TIME.

SCALE: N.T.S.  
 DWN BY: DYO  
 DATE: 11-08-11  
 APPROVED:  
 UNLESS OTHERWISE SPECIFIED:  
 DECIMALS:  
 .XXX ± .005  
 .XX ± .010  
 .X ± .030  
 ANGLES: ± 1°

**ASTRO TOOL CORP.**  
 21615 S.W. TUALATIN VALLEY HWY., BEAVERTON OR 97006  
 CAGE 58164  
 DESCRIPTION: ENVELOPE DRAWING: 642045  
 POSITIONER ASSEMBLY  
 PART NO. B 642045-ENV