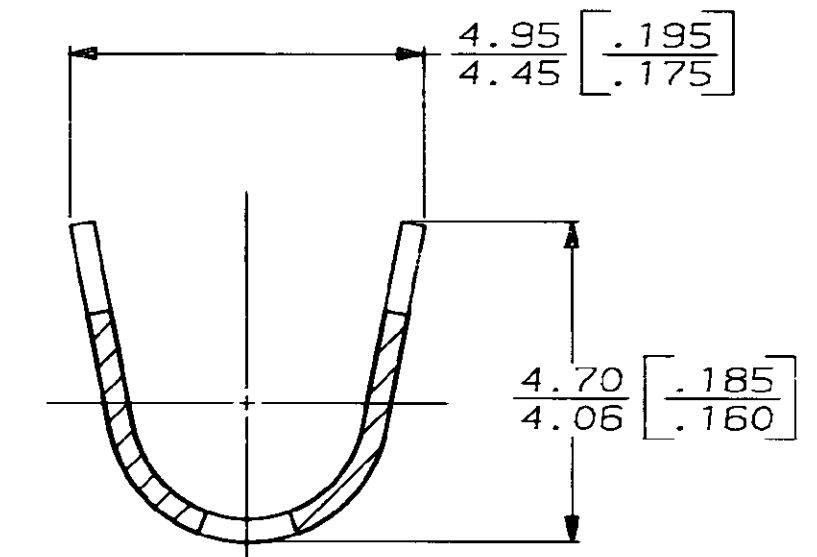
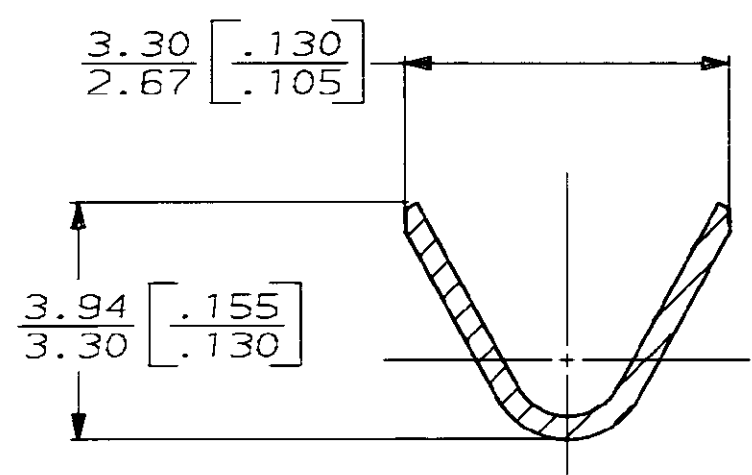
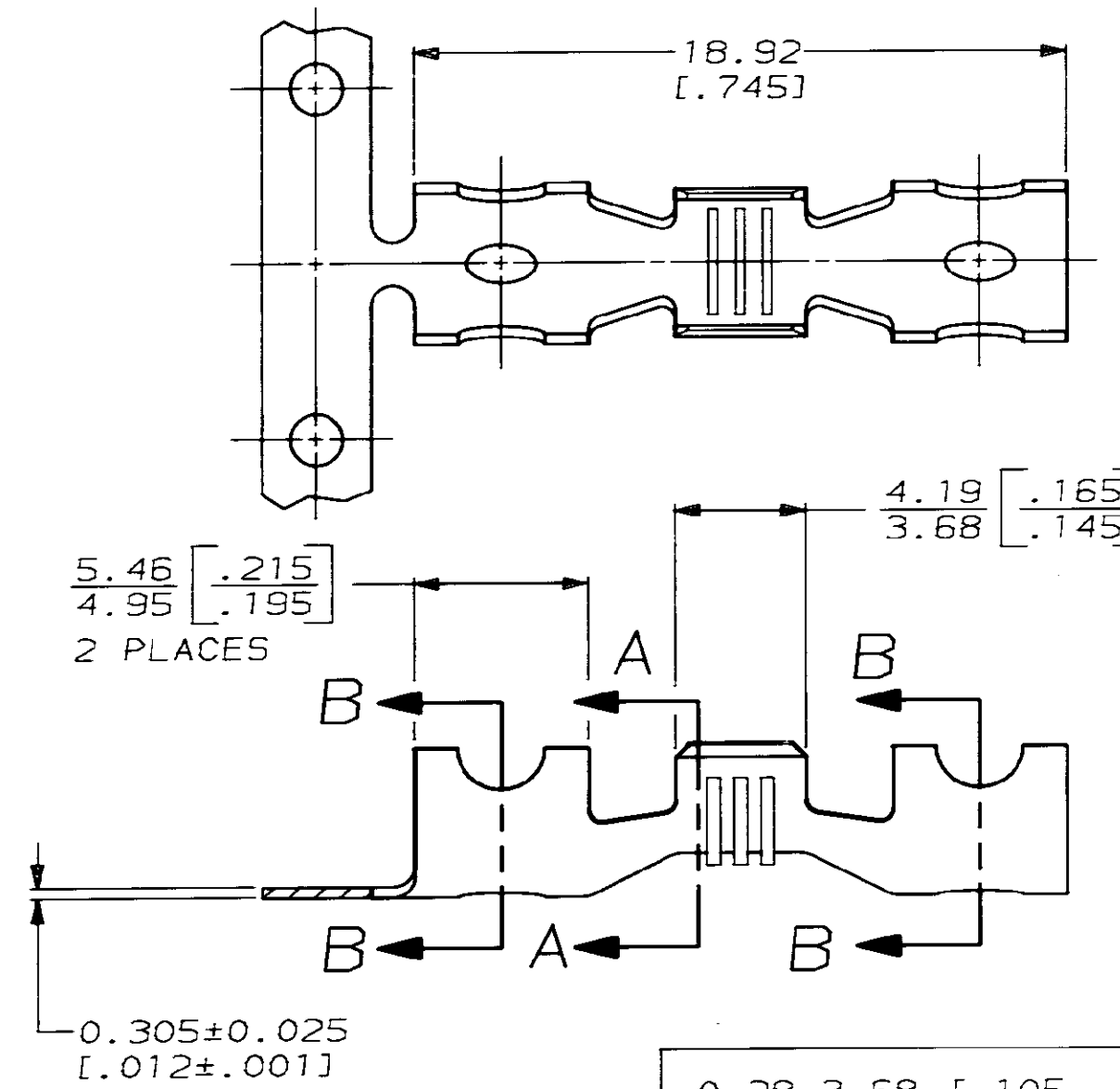


THIS DRAWING IS UNPUBLISHED. RELEASED FOR PUBLICATION ,19 .
 © COPYRIGHT 19 BY AMP INCORPORATED. ALL INTERNATIONAL RIGHTS RESERVED.

LOC		DIST		REVISIONS				DATE	APPD
ZONE	LTR	DESCRIPTION	DATE	APPD					
AF	00	P F							
		C	-2 WAS 88-7061-12-1 AND REDRAWN	3/18/89	MSF				

1 CONTINUOUS STRIP ON REELS.
 2 .001905 [.000075] MIN PRE-NICKEL PER QQ-N-290.



OBSOLETE	0.28-3.68 [.105-.145] DIA	1600-4100 CMA	NONE	#4 HARD BRASS	62516-2
			2	#3 HARD STEEL	62516-1
	INSULATION RANGE	WIRE RANGE	FINISH	MATERIAL	PART NO

DO NOT SCALE PRINT. UNLESS SPECIFIED DIMENSIONS IN mm [INCHES] TOLERANCES ON: 2 PLC DEC ± - 3 PLC DEC ± 0.025 [.010] ANGLES ± -	DR 9/18/89 MICHAEL S. FEHER CHK 9/20/89 JEFF R. RUTH APPD 9/20/89 DENNIS SCHMCK APPD 9/20/89 TERRY L. SHUTTER PRODUCT SPEC - APPLICATION SPEC - WEIGHT -
MATERIAL SEE TABLE	
FINISH SEE TABLE	

AMP INCORPORATED Harrisburg, Pa. 17105		
NAME SPLICE		
SIZE B	CAGE CODE 00779	DRAWING NO 62516
SCALE 5:1	SHEET 1 OF 1	

