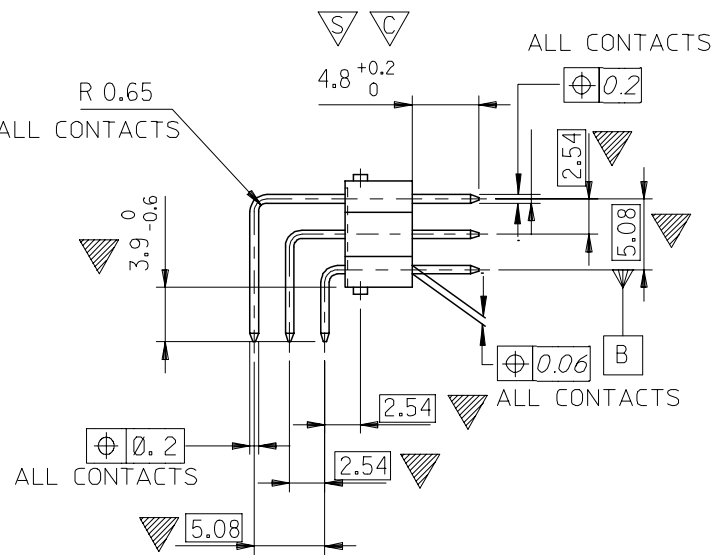
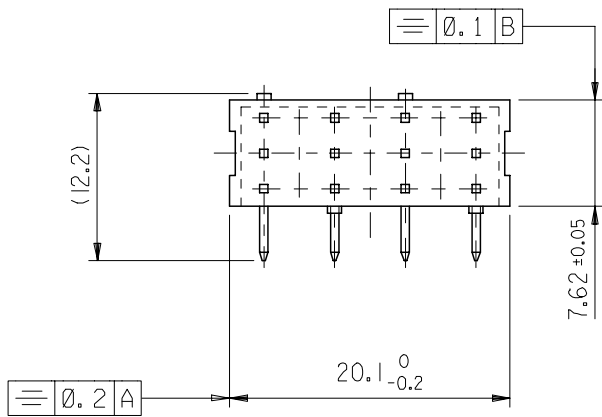
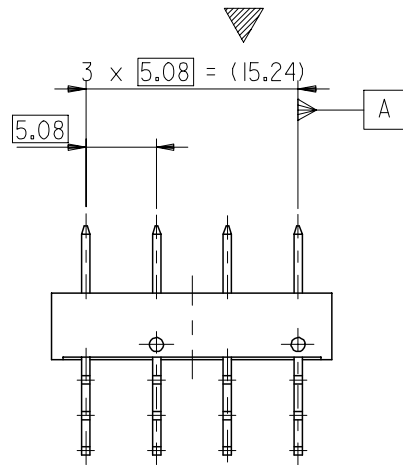


7 6 5 4 3 2 1

- NOTES:
 1. MATERIAL : PBT 30% GF, RAL 7032
 2. TERMINAL : BRASS
 FINISH : SELECTIVE GOLD (Au) 2 MICRONS
 NICKEL 2.5 MICRONS OVERALL
 3. "S" DENOTES SPC DIMENSIONS

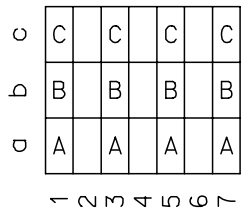


EC NO: 12005-0114 DRWN: SIVAKUMA 2004/08/23 CHKD: SSUDHIR 2004/08/27 APPR: SSUDHIR 2004/08/27	DESCRIPTION REV	QUALITY SYMBOLS ▽=7 ◻=1 S=1	GENERAL TOLERANCES (UNLESS SPECIFIED)		DIMENSION STYLE MM ONLY		SCALE 1:1	DESIGN UNITS METRIC	THIRD ANGLE PROJECTION		
			mm	INCH	DRAWN BY	DATE	TITLE				
		4 PLACES	± ---	± ---	SHIVA	2004/07/15	ASSEMBLY DRAW. MALE CONN. (RPV 304 002)				
		3 PLACES	± ---	± ---	CHECKED BY	DATE					
2 PLACES	± 0.1	± ---	PRASAD	2004/07/15	MOLEX INCORPORATED						
1 PLACE	± 0.2	± ---	APPROVED BY	DATE							
			ANGULAR ± 2 °		DATHA	2004/07/15	MOLEX DOCUMENT NO.		SHEET NO.		
			DRAFT WHERE APPLICABLE MUST REMAIN WITHIN DIMENSIONS		MATERIAL NO. SEE SHEET 2		SD-85300-9002		1 OF 2		
					SIZE A4	THIS DRAWING CONTAINS INFORMATION THAT IS PROPRIETARY TO MOLEX INCORPORATED AND SHOULD NOT BE USED WITHOUT WRITTEN PERMISSION					

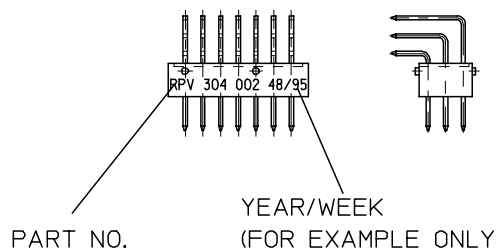
6 5 4 3 2 1

7 6 5 4 3 2 1

View on mating side



A = 4 standard contacts L=3,9
 B = 4 standard contacts L=3,9
 C = 4 standard contacts L=3,9
 S = 12 total number of contacts



Marking	Customer special
Performance level	Customer special
Flux proof	no
Fixing clip	no
Dimensions	SD-85300-9002 SHT1

C	special	c1,3,5,7
B	special	b1,3,5,7,
A	special	a1,3,5,7
Contact symbol	Perform. level	Contact position number

EC NO: I2005-0114 DRWN: SIVAKUMA 2004/08/23 CHKD: SSUDHIR 2004/08/27 APPR: SSUDHIR 2004/08/27	DESCRIPTION REV	QUALITY SYMBOLS ▽=0 ◻=0	GENERAL TOLERANCES (UNLESS SPECIFIED)		DIMENSION STYLE MM ONLY		SCALE ---	DESIGN UNITS METRIC	THIRD ANGLE PROJECTION	
		4 PLACES ± --- ± --- 3 PLACES ± --- ± --- 2 PLACES ± --- ± --- 1 PLACE ± --- ± --- ANGULAR ± ---°	mm INCH	DRAWN BY SHIVA	DATE 2004/07/15	TITLE 21 POS.MALE CONNECTOR (RPV 304 002) CONTACTS ARRANGEMENT				
			DRAFT WHERE APPLICABLE MUST REMAIN WITHIN DIMENSIONS		CHECKED BY PRASAD	DATE 2004/07/15	APPROVED BY DATHA		DATE 2004/07/15	MOLEX INCORPORATED
					MATERIAL NO. 85300-9002	DOCUMENT NO. SD-85300-9002		SHEET NO. 2 OF 2		
					SIZE A4	THIS DRAWING CONTAINS INFORMATION THAT IS PROPRIETARY TO MOLEX INCORPORATED AND SHOULD NOT BE USED WITHOUT WRITTEN PERMISSION				

6 5 4 3 2 1