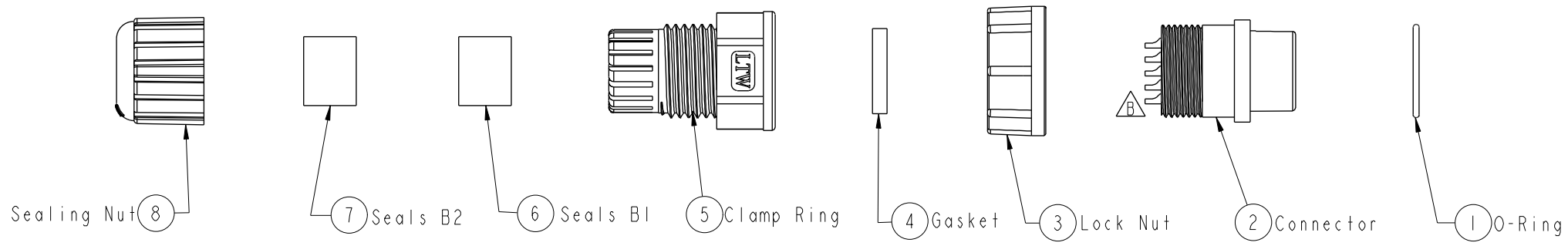


THIS DOCUMENT IS SUBJECT TO CHANGE WITHOUT NOTICE. IT IS CONFIDENTIAL AND A PROPERTY OF AMPHENOL LTW. DISCLOSURE TO THIRD PARTY HAS TO BE AUTHORIZED BY AMPHENOL LTW.

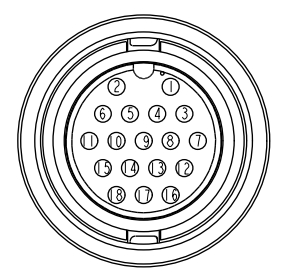
REV.	ECN NO.	DATE	SIGN	DESCRIPTION
B	LEN-0C0138	2010/11/25	IVNA	Change 前導角 View



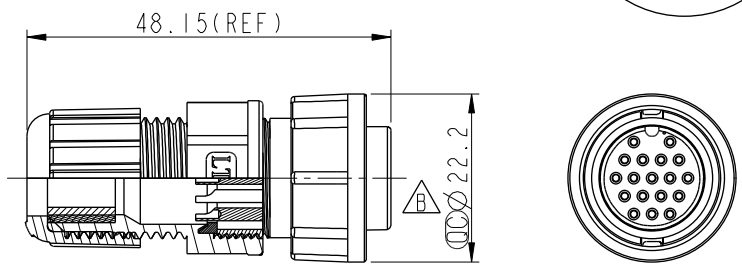
ALTW
 CONFIDENTIAL
 2012-04-18
 R&D DEPT.

ALTW
 DCC. DEPT.
 CONFIDENTIAL
 2012-06-01
ISSUED

- Notes:
- * \varnothing Important Dimension To Check.
 - * Waterproof Rate: IP67
 - * Connector: Nylon+GF, Black
 - * Female Pin: Copper Alloy, Gold Plated.
 - * O-Ring: EPDM, Black.
 - * Lock Nut: Nylon+GF, Black.
 - * Gasket: Silicone, Black
 - * Seals: EPDM, Black
 - * Clamp Ring: Nylon, Black.
 - * Sealing Nut: Nylon, Black.
 - * Seals B1 for Cable OD: $\varnothing 7.6\text{mm} \sim \varnothing 9.6\text{mm}$
 - * Seals B2 for Cable OD: $\varnothing 4.0\text{mm} \sim \varnothing 7.6\text{mm}$
 - * One Set Unassembled in One PE Bag.



Pin Assignments
Front View 前視圖



UNIT: mm		TITLE			ITEM NO.	DRAWN BY	DATE
		18Pin Female Connector Female Pin(2A)			CU-18BFFA-LL7001	SamChang	2012-04-18
TOLERANCE		SCALE	SIZE	SHEET	DWG NO.	CHECKED BY	DATE
.X ±0.25		1:1	A4	1 OF 1	CU-18BFFA-LL7001	Jeffrey	2012-06-01
.XX ±0.1		REV.	WC-REV.		CUSTOMER	APPROVED BY	DATE
.XXX ±0.05		B	A.2	\varnothing : Inspection item	ALTW	Lion	2012-06-01
ANGLES ±1°							

Amphenol LTW
 安費諾亮泰企業股份有限公司