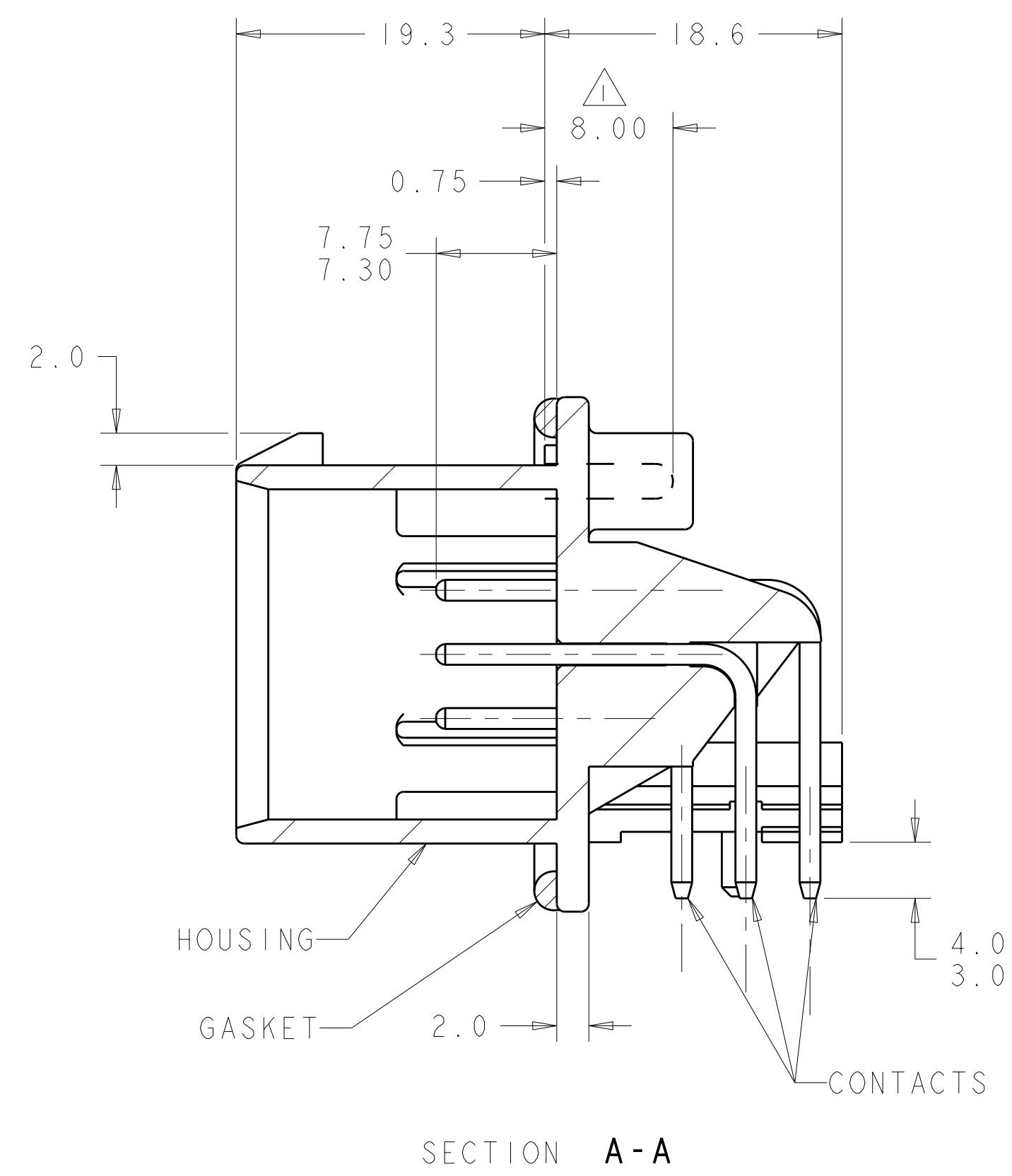
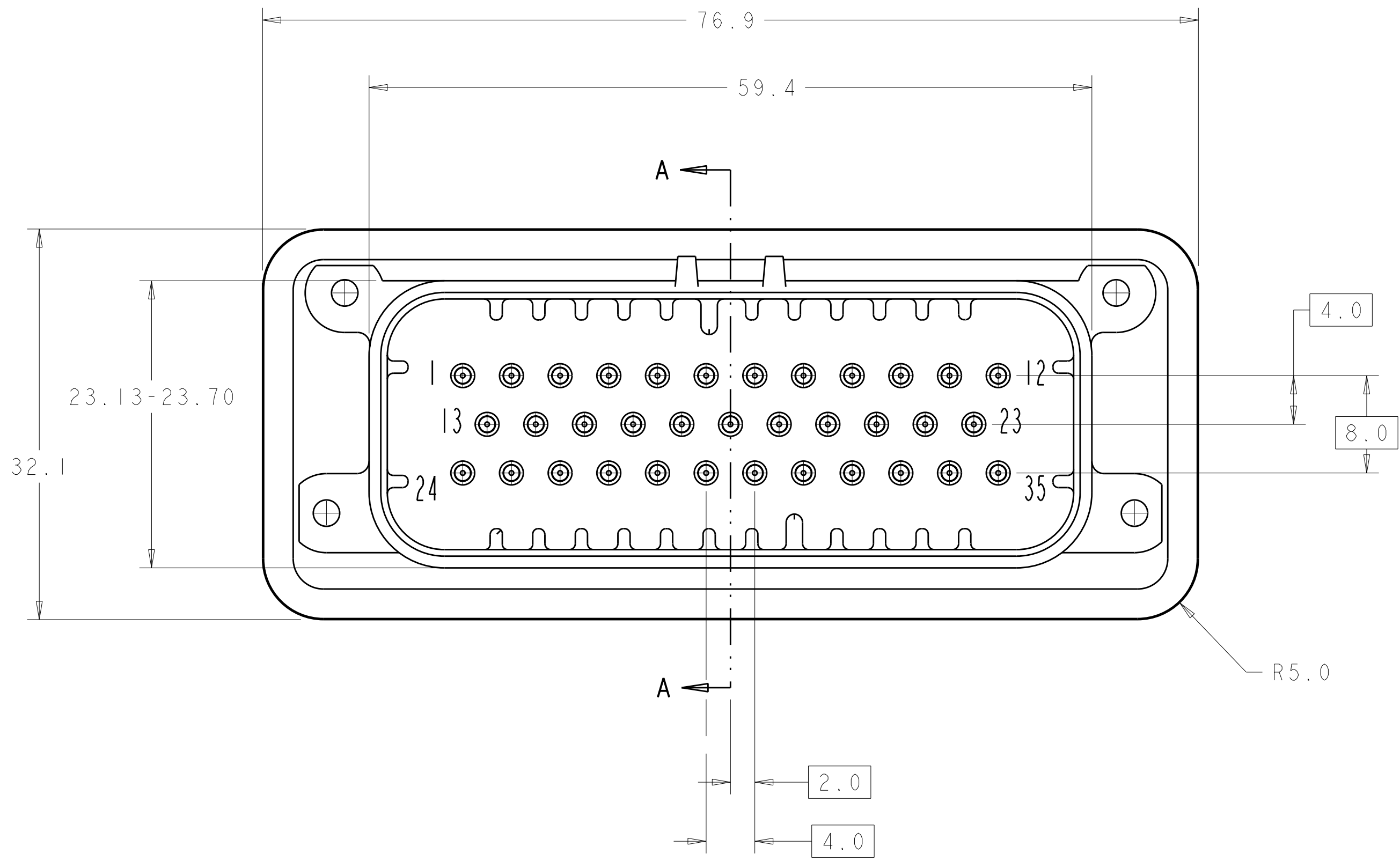
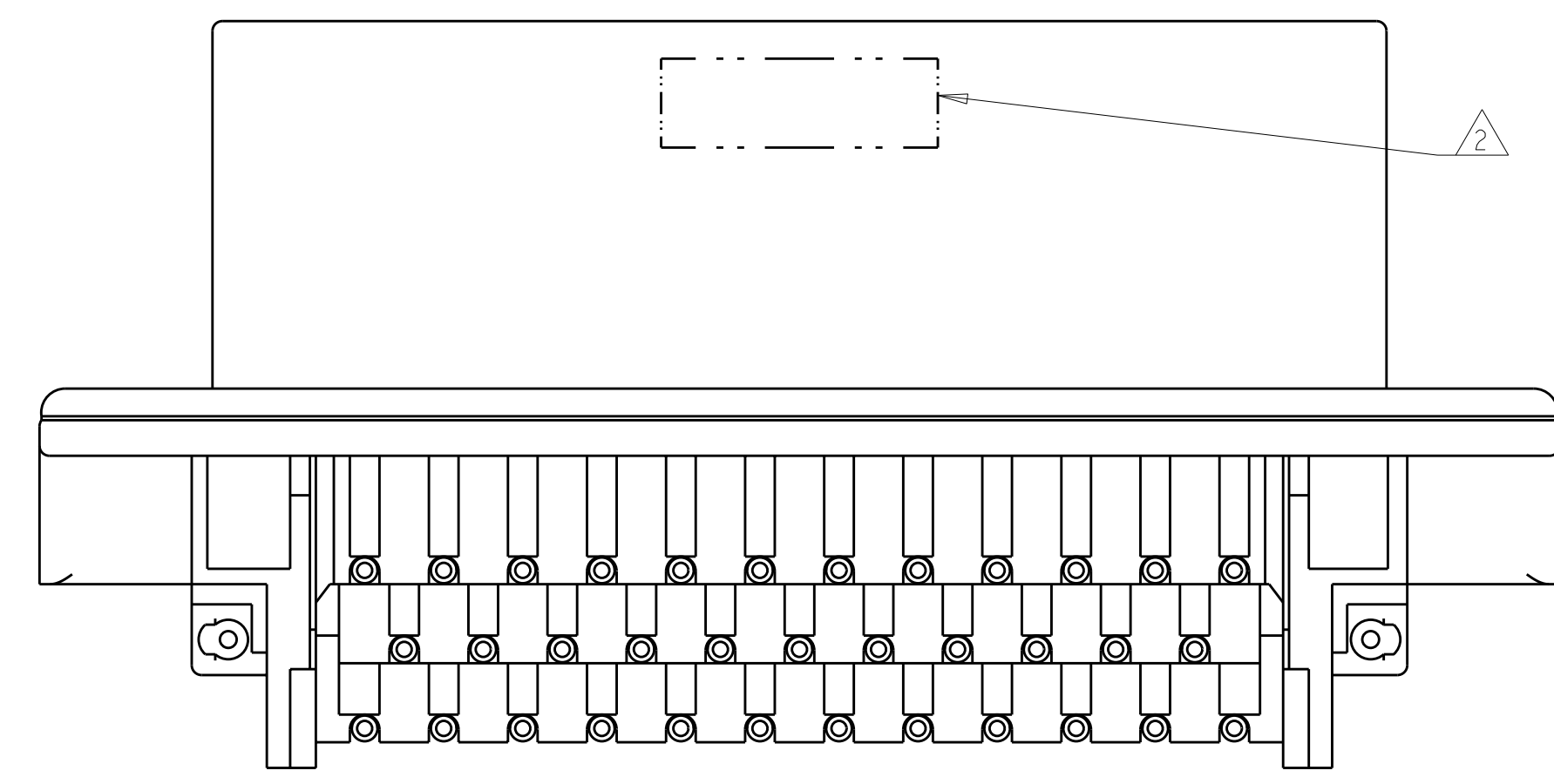


LOC	DIST	REV	DESCRIPTION	DATE	DWN	APVD
GE	00					
		J3	REVISED PER ECO-11-005030	11MAR2011	RK	HMR
		J4	REVISED PER ECO-12-009257	29MAY2012	DD	DS



- 1 ACCEPTS #4 SELF TAPPING THREAD FORMING SCREW OR METRIC EQUIVALENT TO BE DRIVEN AT 0.6±0.2 N-M.
- 2 DATE CODE IN THIS LOCATION USING 5 DIGIT CODE FIRST 2 DIGITS = YEAR, SECOND 2 DIGITS = WEEK LAST DIGIT = DAY
- 3 HOUSING COLORS ARE MECHANICALLY KEYED TO MATE ONLY WITH IDENTICALLY COLORED PLUG ASSEMBLIES.
- 4 MATERIAL: HEADER HOUSING - GLASS FILLED PBT  
PINS - TIN OR GOLD PLATED BRASS  
GASKET - SILICONE
- 5. HEADER MATES TO PLUG ASSEMBLY 776164 WHICH USES REELED TERMINAL 770520 OR LOOSE PIECE TERMINAL 770854



776163-1 & 1-776163-1  
 KEY LOCATION AS SHOWN

DURAGOLD	ORANGE	1-776163-6
DURAGOLD	BLUE	1-776163-5
DURAGOLD	GRAY	1-776163-4
DURAGOLD	NATURAL (WHITE)	1-776163-2
DURAGOLD	BLACK	1-776163-1
TIN	BLUE	776163-5
TIN	GRAY	776163-4
TIN	NATURAL (WHITE)	776163-2
TIN	BLACK	776163-1
FINISH	HEADER COLOR	PART NUMBER

THIS DRAWING IS A CONTROLLED DOCUMENT.

DWN: R. VESTAL 31DEC2002  
 CHK: D. CROWE 31DEC2002  
 APVD: D. CROWE 31DEC2002

DIMENSIONS: mm  
 TOLERANCES UNLESS OTHERWISE SPECIFIED:  
 9 PLC ±  
 3 PLC ±0.3  
 5 PLC ±0.13  
 4 PLC ±  
 ANGLES ±

MATERIAL: 4  
 FINISH: 4

PRODUCT SPEC: 108-1329  
 APPLICATION SPEC: 114-16016  
 WEIGHT: -

CUSTOMER DRAWING

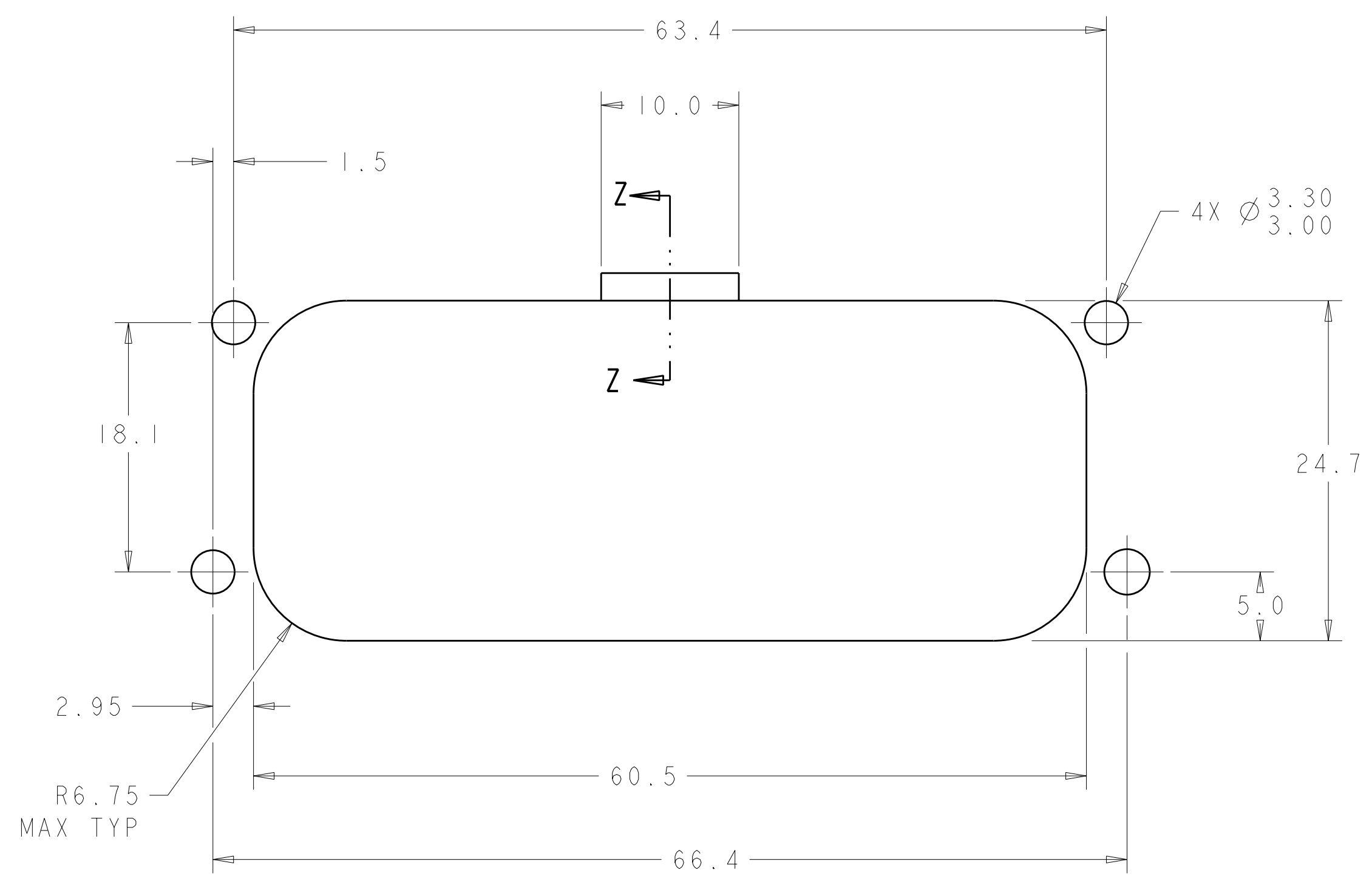
SCALE: 1:1 SHEET 1 OF 2 REV J4

NAME: 35 POSITION, RIGHT ANGLE, AMPSEAL

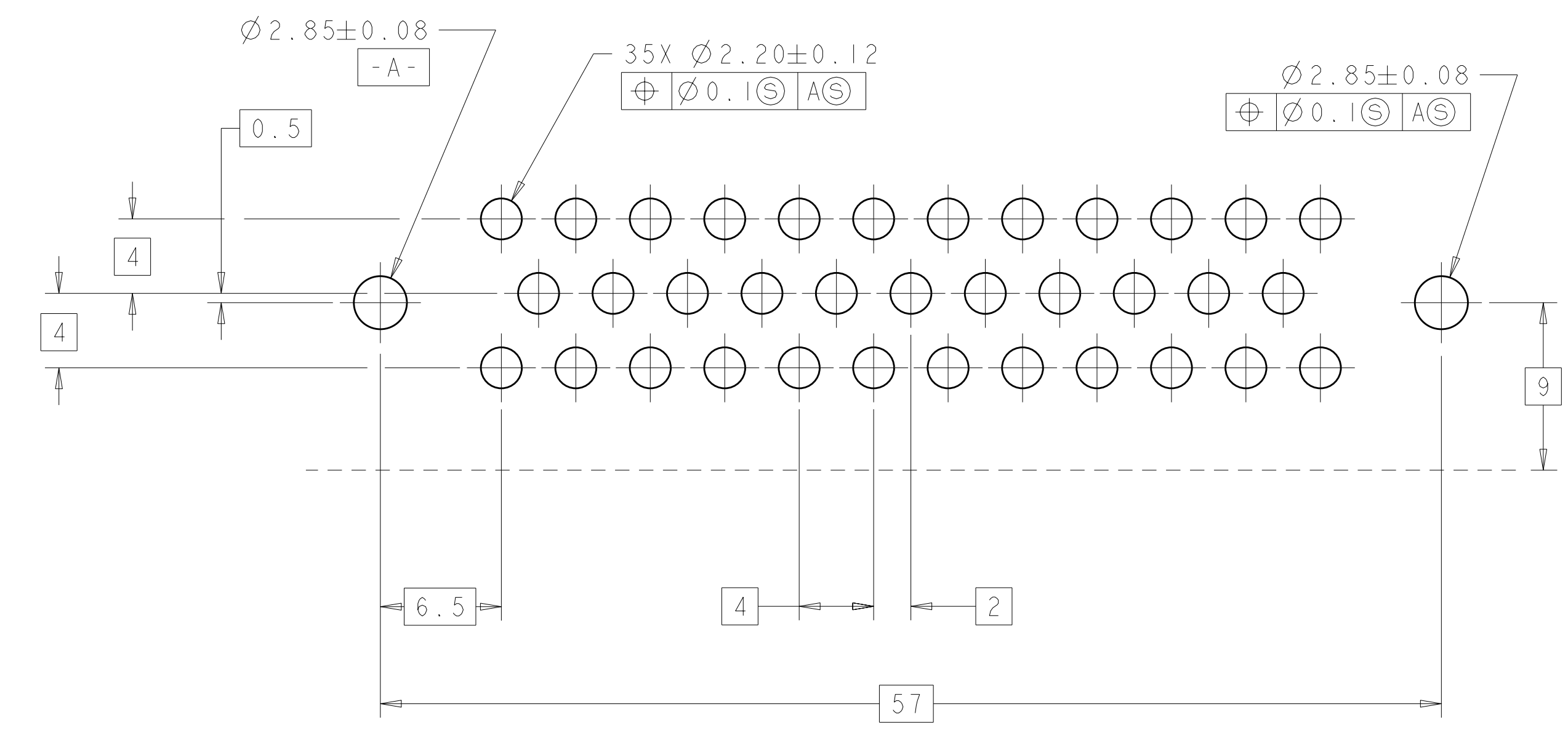
SIZE: A100779 C=776163

RESTRICTED TO: -

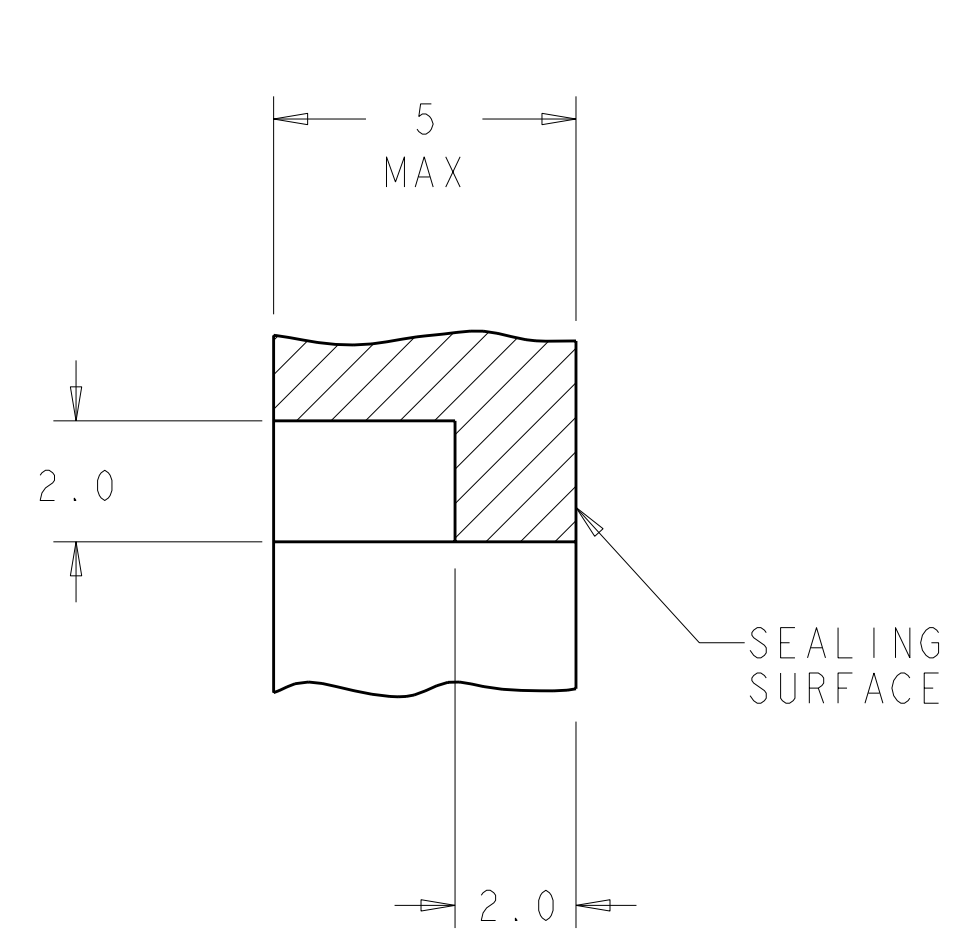
LOC	DIST	REV	DATE	BY	APPD
GE	00				
REVISIONS			DESCRIPTION	DATE	BY
			SEE SHEET 1		



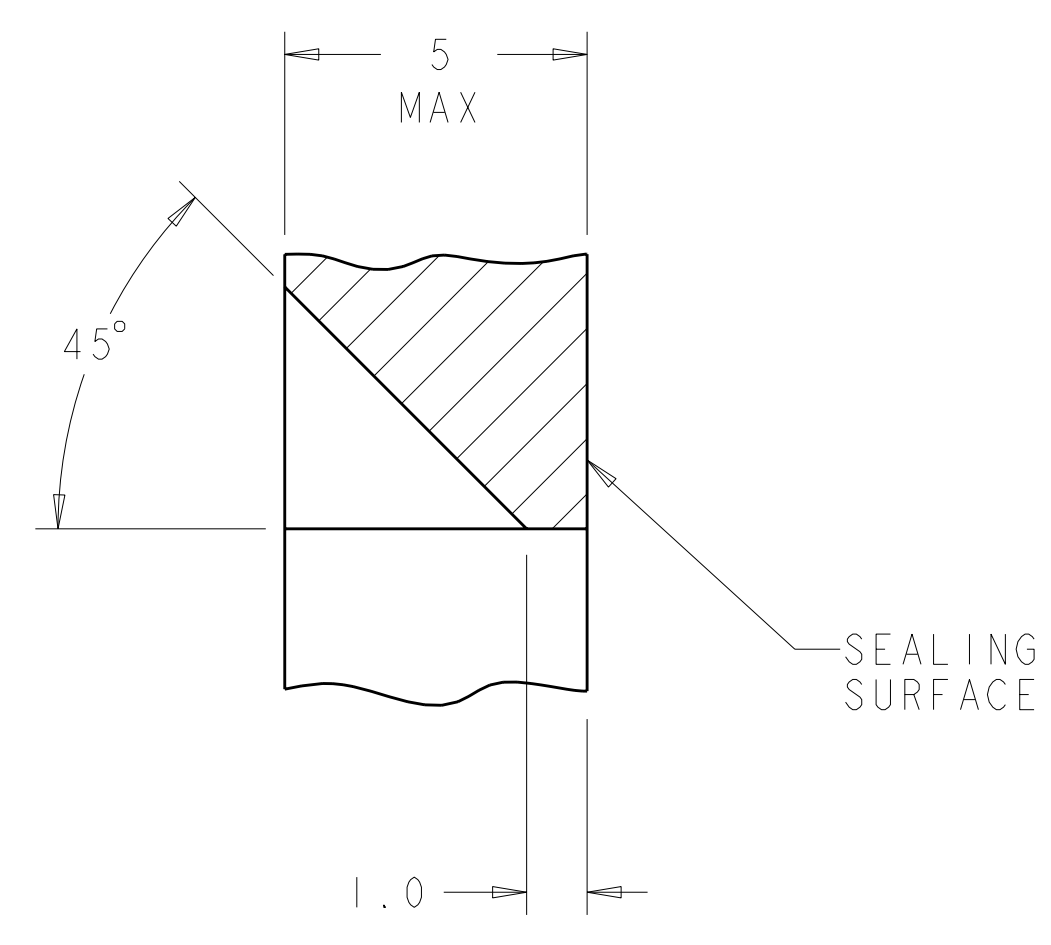
RECOMMENDED MOUNTING HOLE LAYOUT  
 FOR 5.0 MAX THICK PANEL



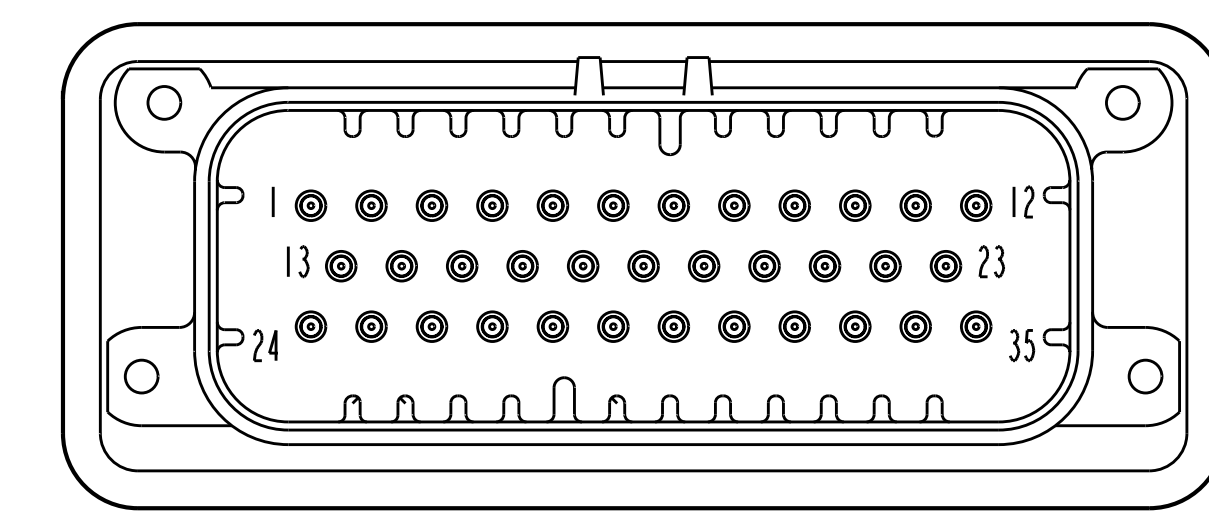
RECOMMENDED P.C. BOARD LAYOUT  
 FOR 1.57 THICK P.C. BOARD



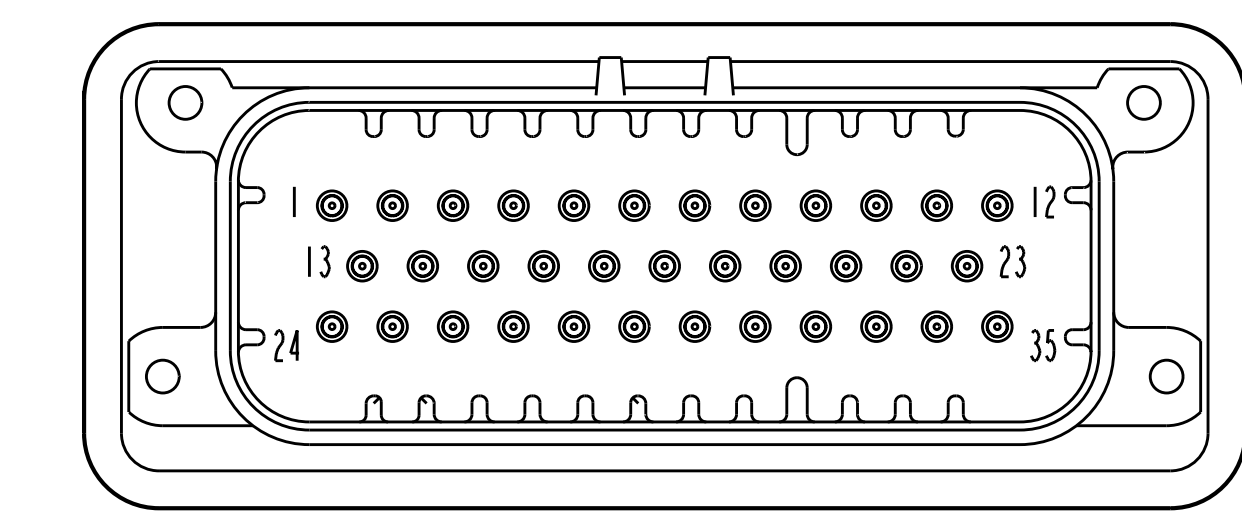
SECTION Z-Z  
 OPTIONAL CONSTRUCTION IF  
 THICKNESS IS GREATER THAN 2.0  
 SCALE 8:1



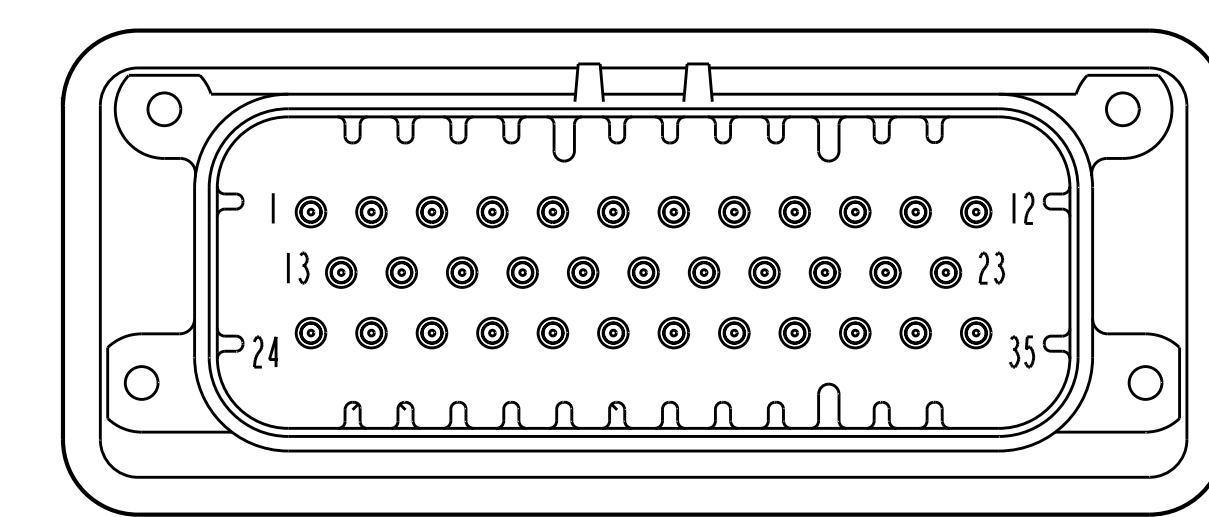
SECTION Z-Z  
 OPTIONAL CONSTRUCTION IF  
 THICKNESS IS GREATER THAN 2.0  
 SCALE 8:1



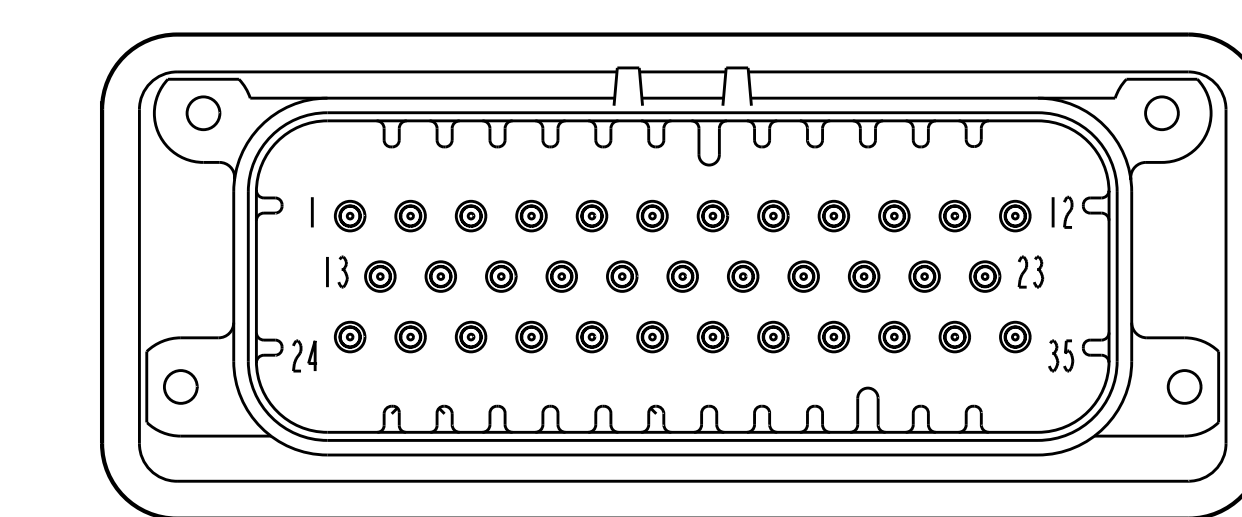
776163-2 & 1-776163-2  
 KEY LOCATION AS SHOWN  
 SCALE 2:1



776163-4 & 1-776163-4  
 KEY LOCATION AS SHOWN  
 SCALE 2:1



776163-5 & 1-776163-5  
 KEY LOCATION AS SHOWN  
 SCALE 2:1



1-776163-6  
 KEY LOCATION AS SHOWN  
 SCALE 2:1

THIS DRAWING IS A CONTROLLED DOCUMENT.		OWN: VESTAL 31DEC2002	TE Connectivity
DIMENSIONS: mm		CHK: D. CROWE 31DEC2002	
TOLERANCES UNLESS OTHERWISE SPECIFIED:		APVD: D. CROWE 31DEC2002	NAME: HEADER ASSEMBLY, 35 POSITION, RIGHT ANGLE, AMPSEAL
0 PLC ±	1 PLC ±0.3	PRODUCT SPEC	SIZE: CAGE CODE DRAWING NO
2 PLC ±0.13	3 PLC ±	APPLICATION SPEC	RESTRICTED TO
4 PLC ±	ANGLES ±	114-16016	A100779C-776163
MATERIAL FINISH	WEIGHT	CUSTOMER DRAWING	SCALE 1:1 SHEET 2 OF 2 REV J4