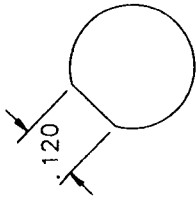
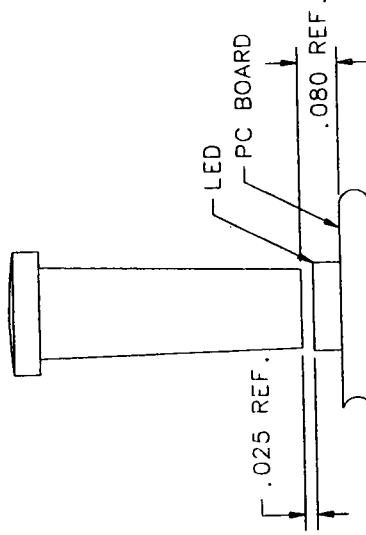
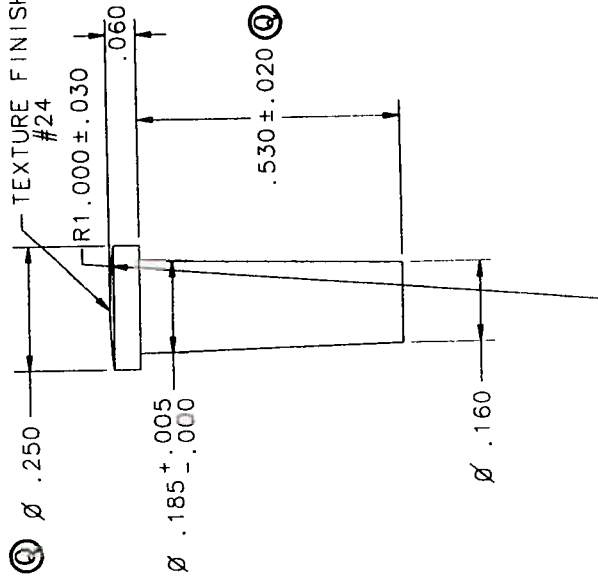


| REVISIONS | | |
|-----------|--------|----------|
| REV | ECR NO | DATE |
| A | 16926 | 10/5/98 |
| B | 17117 | 11/12/98 |

- NOTES:
- LIGHTPIPE TO BE MOLDED IN A CLEAR 94-VO POLYCARBONATE COMPONENT TO BE FREE OF IMPERFECTIONS WHICH WOULD INTERFERE WITH THE DESIGNED LIGHT OUTPUT.



Q1 TEXTURE FINISH Q2 VISUAL #24



Q1 FOR INSPECTION USE ONLY
 Q2 SPC DOCUMENTATION REQ. (X R CHARTS)

| | | | | | |
|-------------------|----------|---------|----------|---------|--------------------|
| DIM ARE IN INCHES | DATE | PART NO | MODEL NO | MOLD NO | TITLE |
| | 11/12/98 | 7511A86 | | | VERTICAL LIGHTPIPE |

THIS DRAWING IS THE PROPERTY OF CHICAGO MINIATURE LAMP, INC. AND THE PROPRIETARY INFORMATION. IT SHALL NOT BE COPIED OR ITS CONTENTS REVEALED TO OUTSIDE PARTIES WITHOUT THE WRITTEN CONSENT OF CHICAGO MINIATURE LAMP, INC.

CHICAGO MINIATURE LAMP, INC.
 147 CENTRAL AVE. HACKENSACK, NJ 07601

| | | | | | |
|------------|----------|---------|----------|---------|--------------------|
| DRAWN BY | DATE | PART NO | MODEL NO | MOLD NO | TITLE |
| K. BARRETT | 11/12/98 | 7511A86 | | | VERTICAL LIGHTPIPE |

CHICAGO MINIATURE LAMP, INC.
 147 CENTRAL AVE. HACKENSACK, NJ 07601

| | | |
|---------|--------|-------|
| DIST. S | DWG NO | REV B |
| 4 : 1 | B15413 | |

SCALE 4 : 1 SHEET 1 OF 1

SDRC FILE NAME: 7511A86.1198.KB.MF1