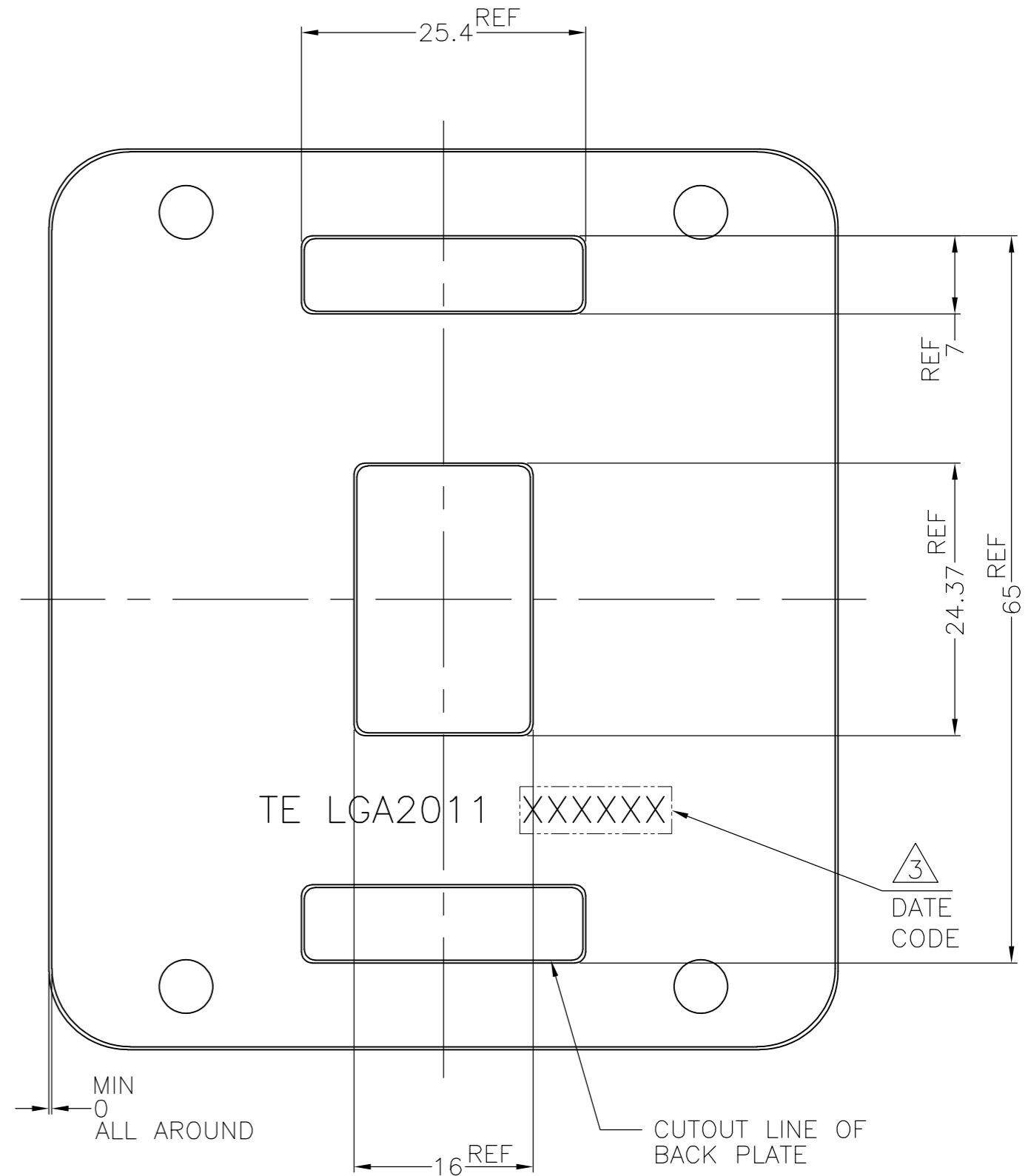
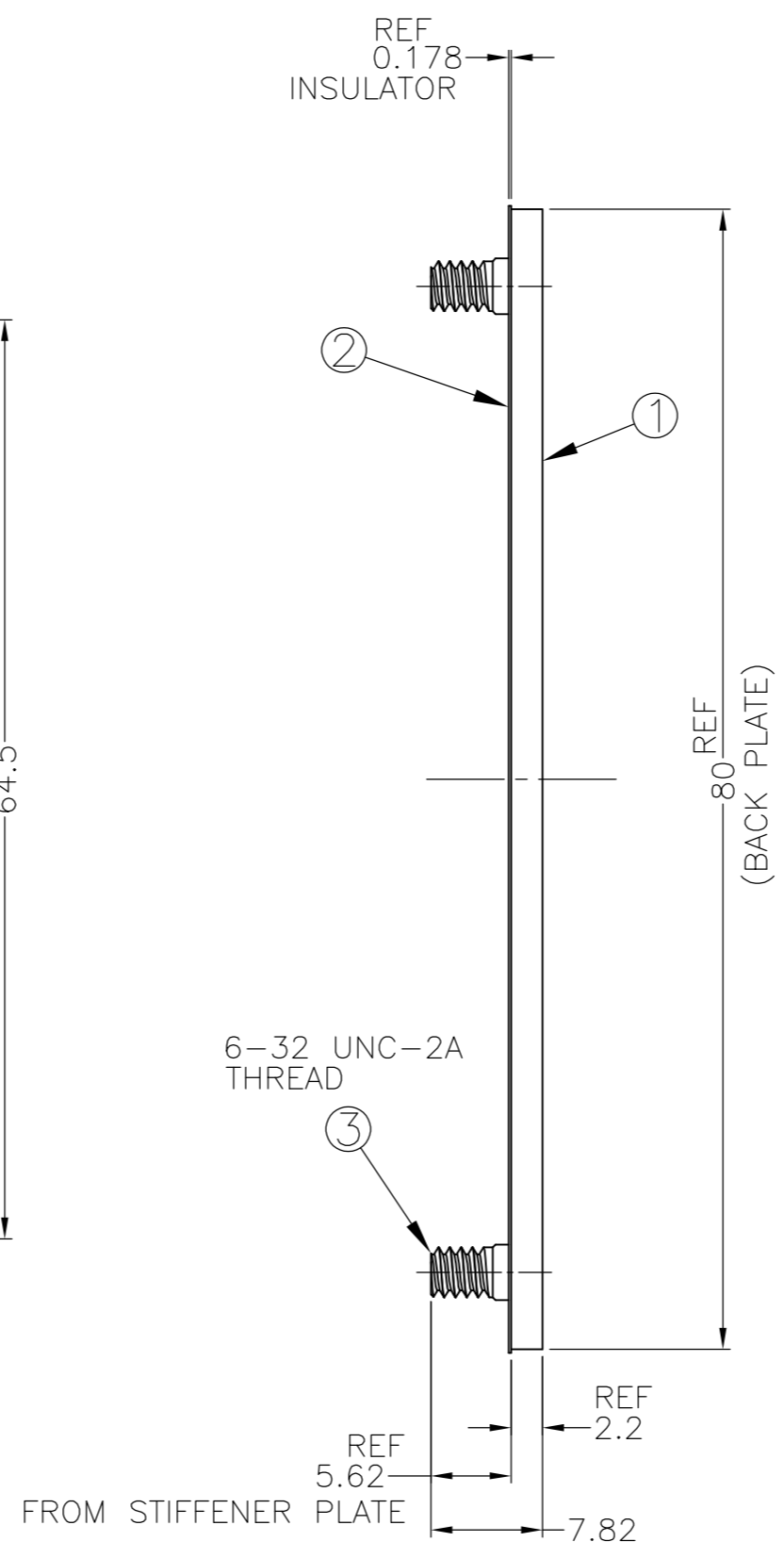
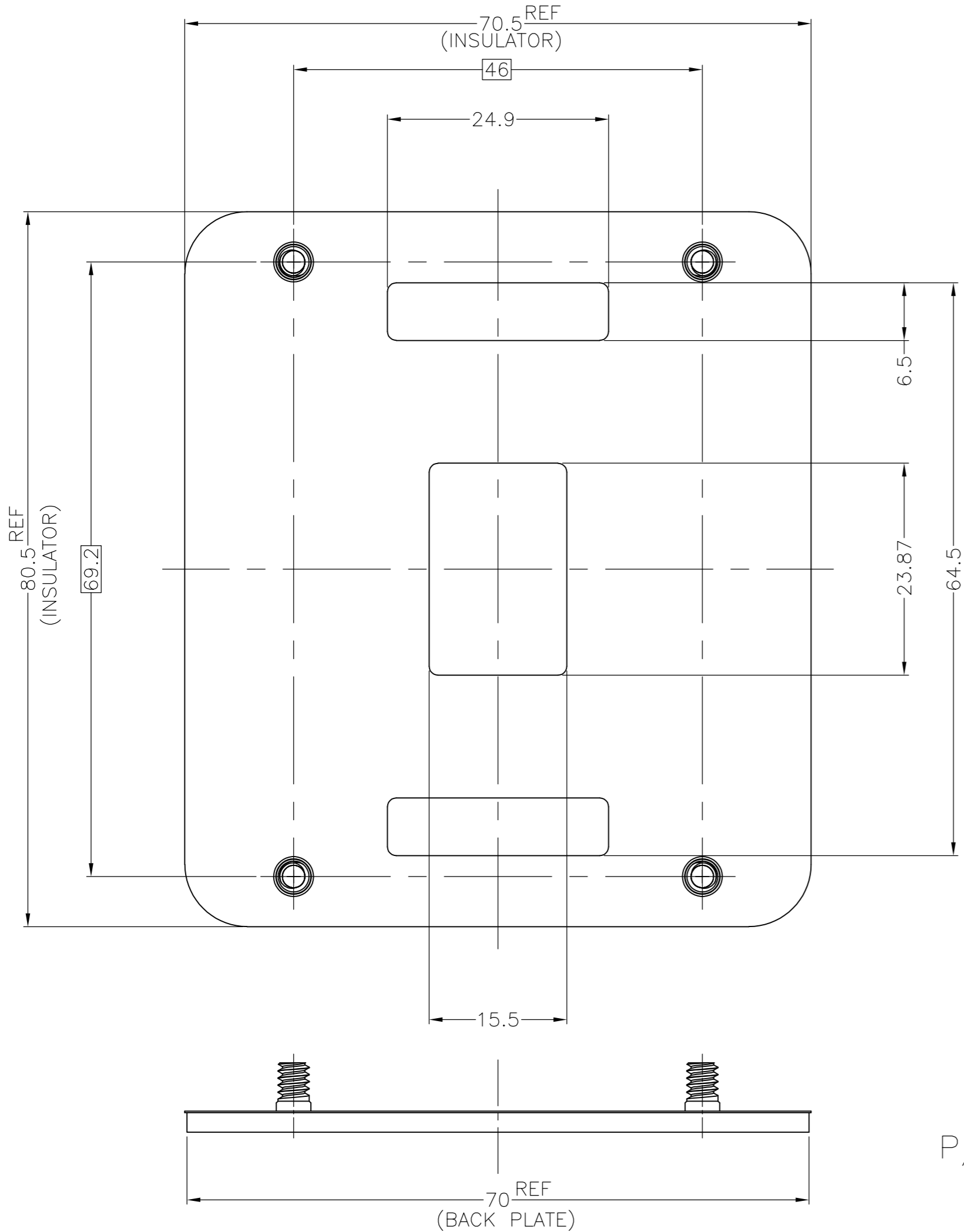


THIS DRAWING IS UNPUBLISHED. RELEASED FOR PUBLICATION APR, 2011.  
 © COPYRIGHT 2011 By Tyco Electronics Japan G.K. ALL RIGHTS RESERVED.

LOC		DIST		REVISIONS			DATE	DWN	APVD
J		-		P	LTR	DESCRIPTION			
				E		REVISED	12APR'16	J.W	C.W



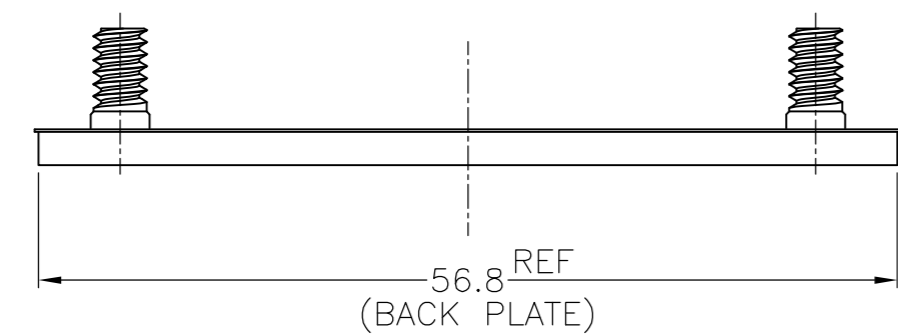
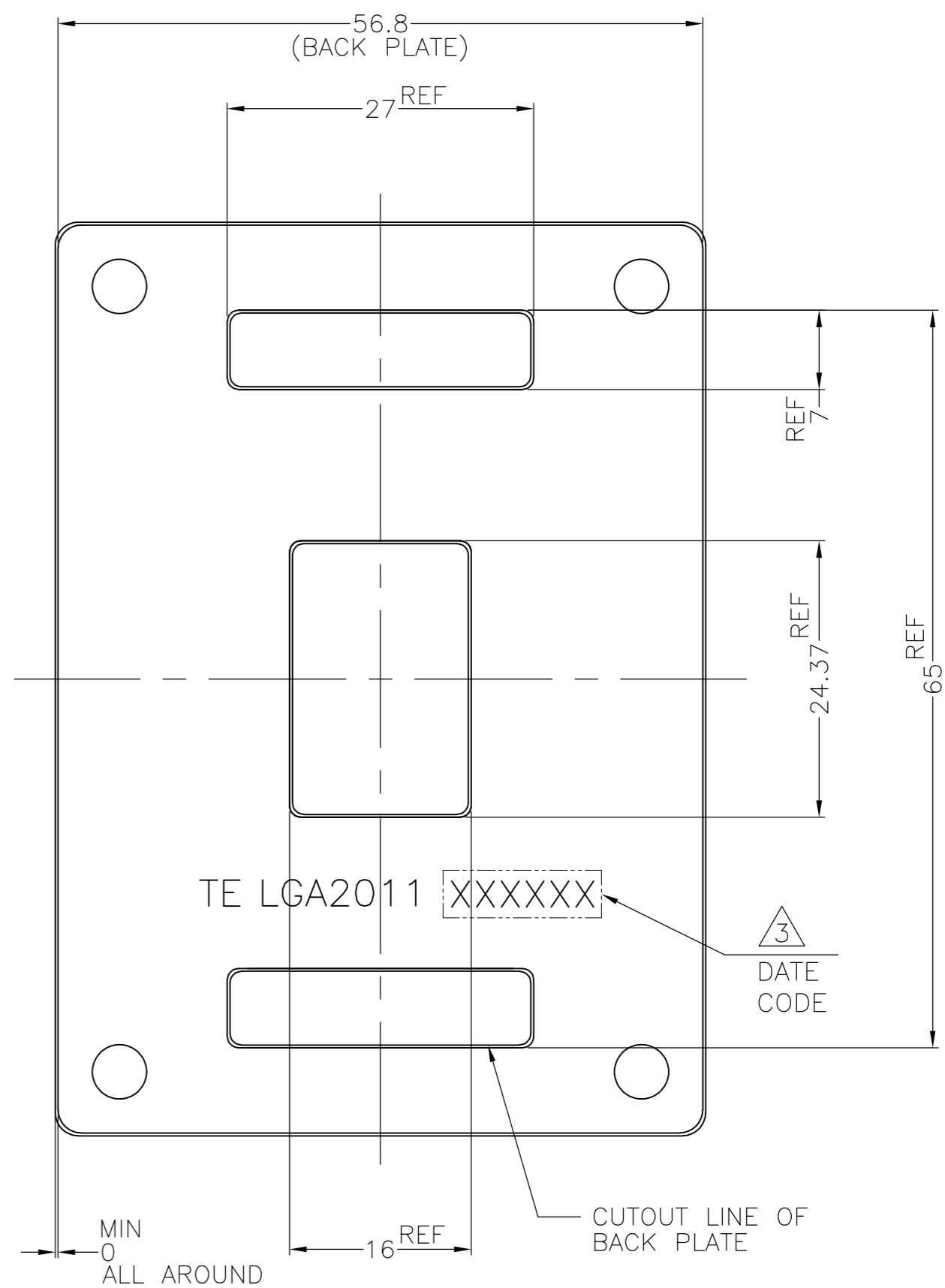
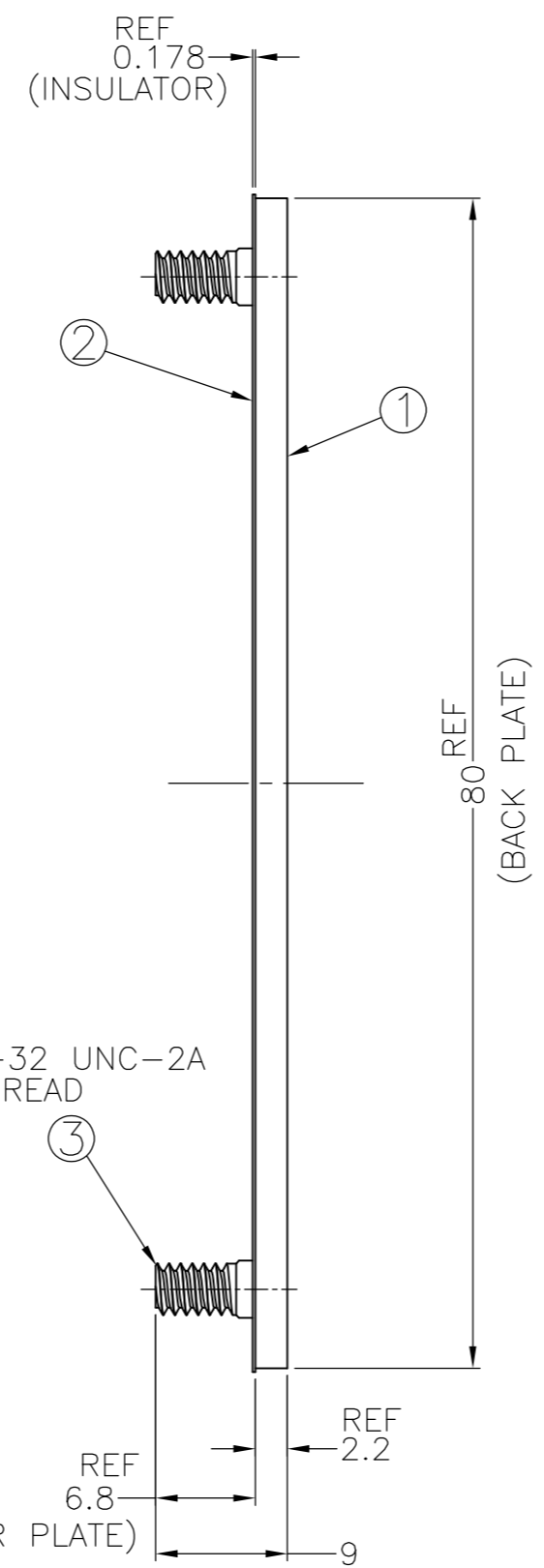
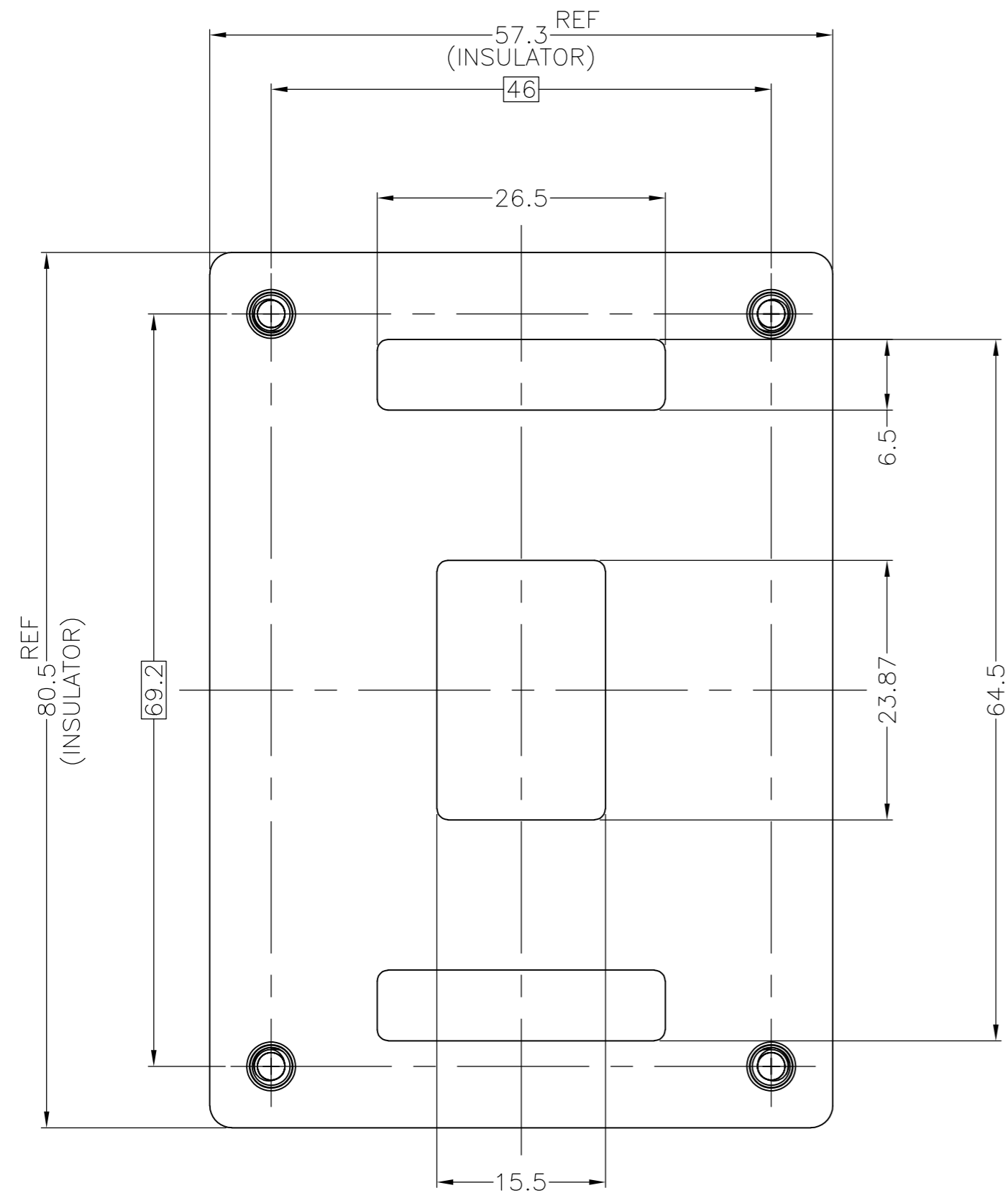
P/N: 2134440-1 AS SHOWN

- NOTE(APPLIED TO SHEET 1 OF 5, 3~5 OF 5):
- MATERIAL:
    - ① BACK PLATE: STEEL, FINISH: NI PLATING
    - ② INSULATOR: POLYCARBONATE FILM PLUS ACRYLIC ADHESIVE LAYER
    - ③ STUD: STEEL, FINISH: NI PLATING
  - ASSEMBLED WITH ILM ASSEMBLY P/N: 2134439 SERIES
  - INDICATED DATE CODE ON THE BACK PLATE

85.1	Ni PLATING	2134440-7
84.9	Ni PLATING	2134440-5
84.7	Ni PLATING	2134440-4
67.5	Ni PLATING	2134440-3
84.7	Ni PLATING	2134440-1
WEIGHT(g)	FINISH	PART NO.

THIS DRAWING IS A CONTROLLED DOCUMENT.		DWN	16NOV2010	TE Connectivity	
DIMENSIONS: 単位: 寸 mm		CHK	16NOV2010	BACK PLATE ASSY LGA2011	
TOLERANCES UNLESS OTHERWISE SPECIFIED: 一般公差		APVD	16NOV2010	DRAWING NO. 2134440	
6-PLC ± ± ± 0.3		NAME		RESTRICTED TO	
1-PLC ± ± ± 3'		T.NAKASHIMA		-	
2-PLC ± ± ±		PRODUCT SPEC		SCALE	
3-PLC ± ± ±		APPLICATION SPEC		2:1	
4-PLC ± ± ±		取付適用規格		SHEET	
FINISH 仕上		114-5474		1 of 5	
MATERIAL 材料		WEIGHT SEE TABLE		REV	
		CUSTOMER DRAWING		E	

LOC		DIST		REVISIONS				DATE	DWN	APVD
J		-		P	LTR	DESCRIPTION				
-							SEE SHEET 1	-	-	-



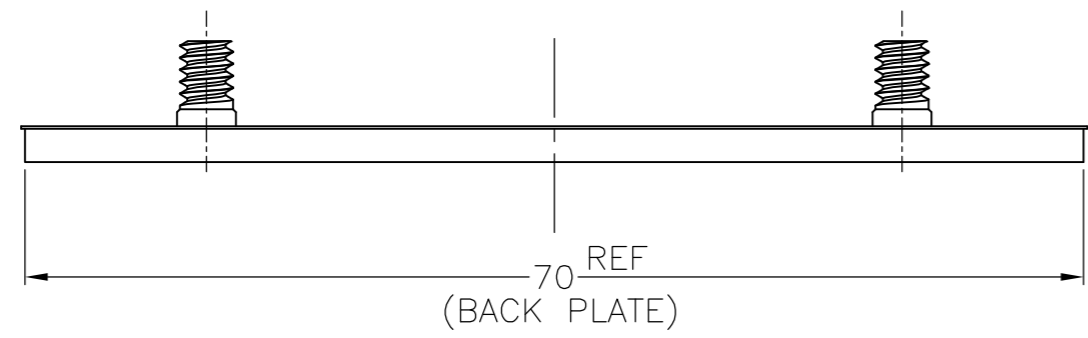
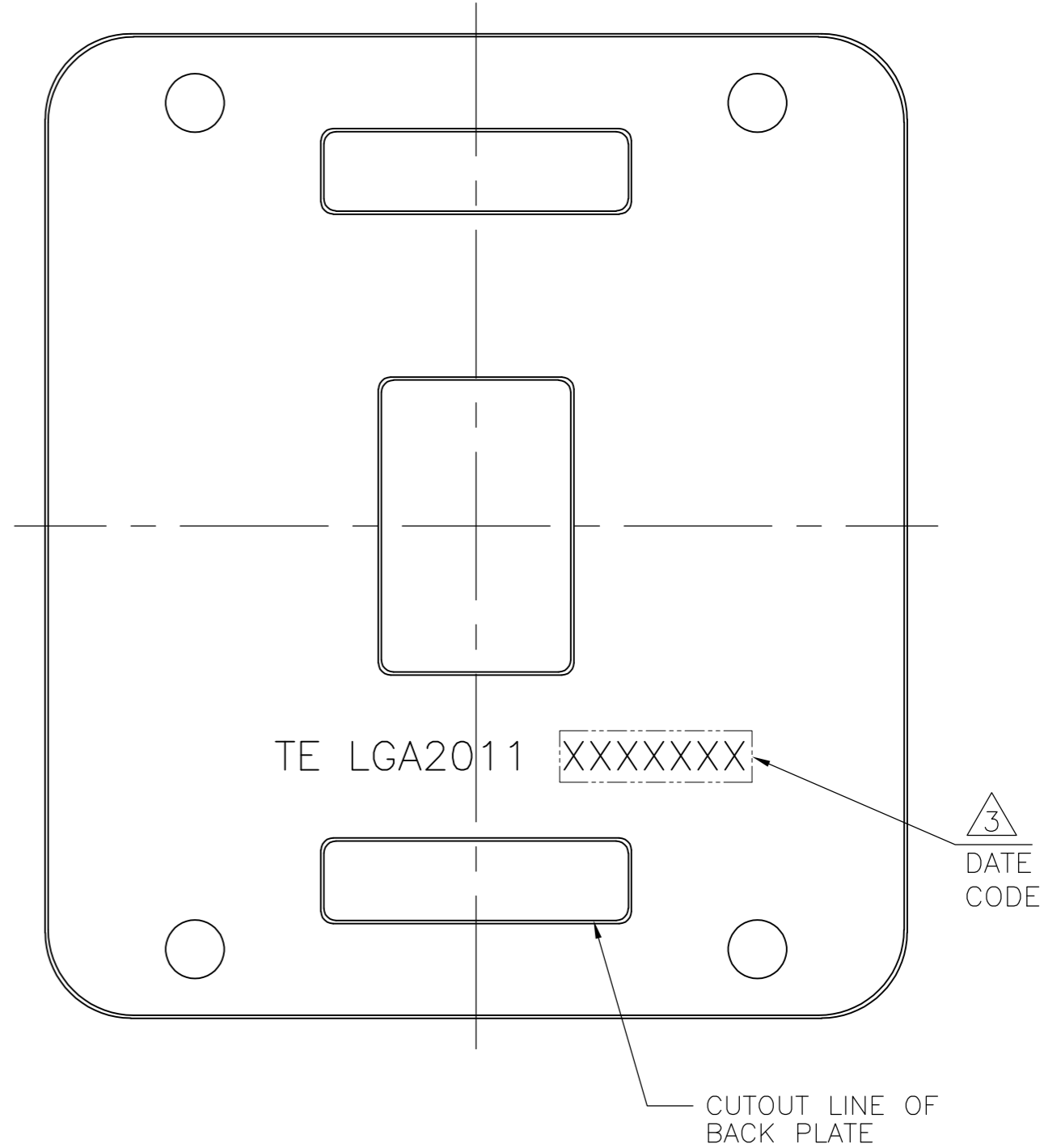
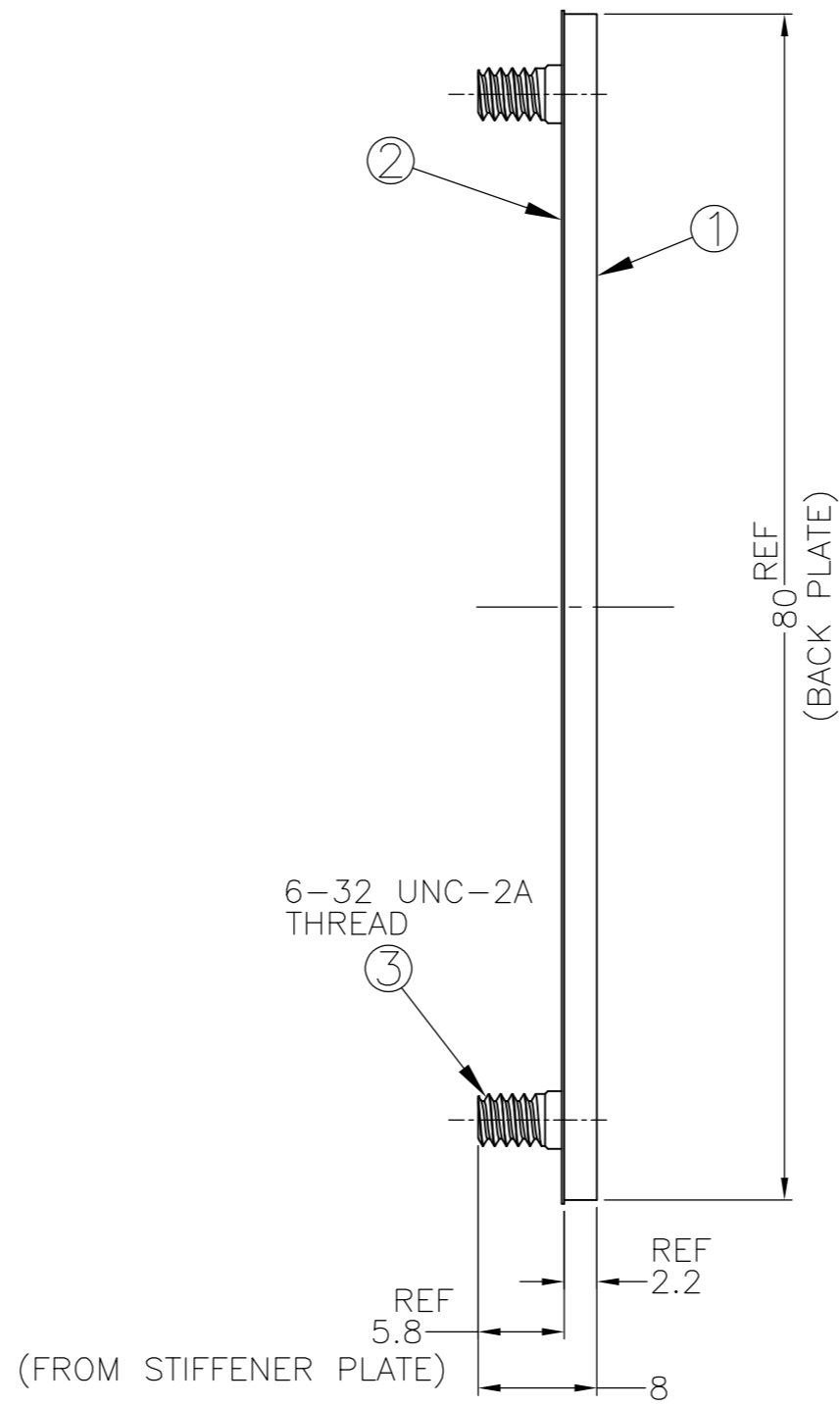
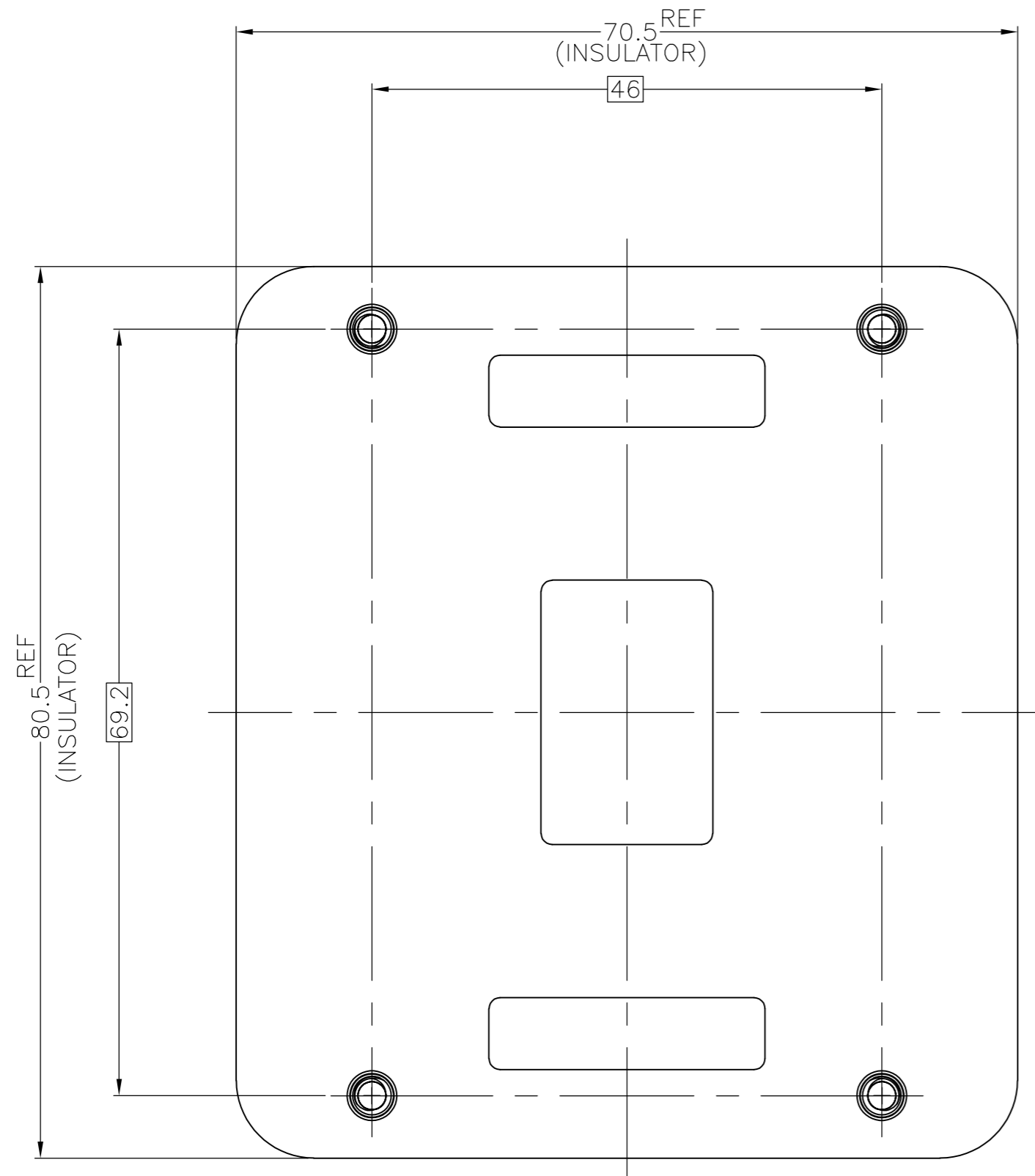
P/N: 2134440-3 AS SHOWN

- NOTE(APPLIED TO SHEET 2 OF 5):
- MATERIAL:
    - ① BACK PLATE: STEEL, FINISH: NI PLATING
    - ② INSULATOR: POLYCARBONATE FILM PLUS ACRYLIC ADHESIVE LAYER
    - ③ STUD: STEEL, FINISH: NI PLATING
  - ASSEMBLED WITH ILM ASSEMBLY P/N: 2134439 SERIES
  - INDICATED DATE CODE ON THE BACK PLATE
  - APPLICABLE PCB THICKNESS: 2.86~3.58mm

THIS DRAWING IS A CONTROLLED DOCUMENT.		DWN	TE Connectivity		
DIMENSIONS: 単位: 寸 mm		CHK	BACK PLATE ASSY LGA2011		
TOLERANCES UNLESS OTHERWISE SPECIFIED: 一般公差		APVD	SIZE	CAGE CODE	DRAWING NO
0-PLC ± ± ± 0.3 1-PLC ± ± ± 3° 2-PLC ± ± ± 3-PLC ± ± ± 4-PLC ± ± ± ANGLES ± ± ± FINISH 仕上		NAME	A2	00779	2134440
MATERIAL 材料		PRODUCT SPEC 製品規格	RESTRICTED TO	-	
		APPLICATION SPEC 取付適用規格	SCALE	SHEET	REV
		WEIGHT SEE TABLE	2:1	2 of 5	E
		CUSTOMER DRAWING			

THIS DRAWING IS UNPUBLISHED. RELEASED FOR PUBLICATION APR , 2011.  
 © COPYRIGHT 2011 By Tyco Electronics Japan G.K. ALL RIGHTS RESERVED.

LOC		DIST		REVISIONS			
P	LTR	DESCRIPTION		DATE	DWN	APVD	
J	-	-		-	-	-	
SEE SHEET 1							



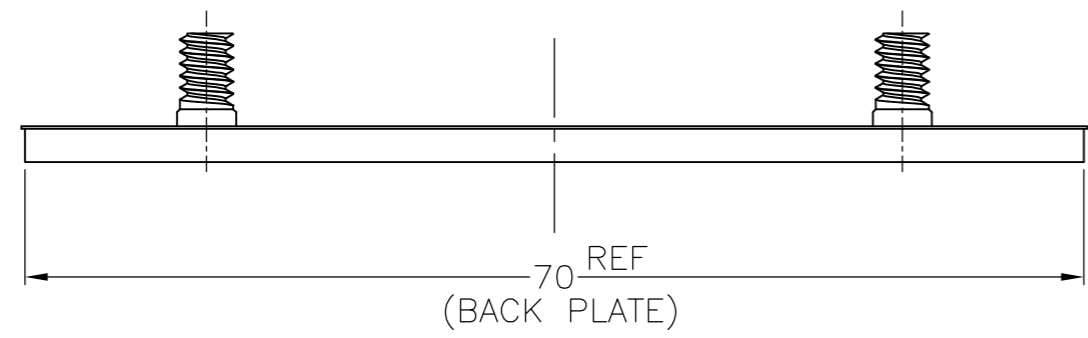
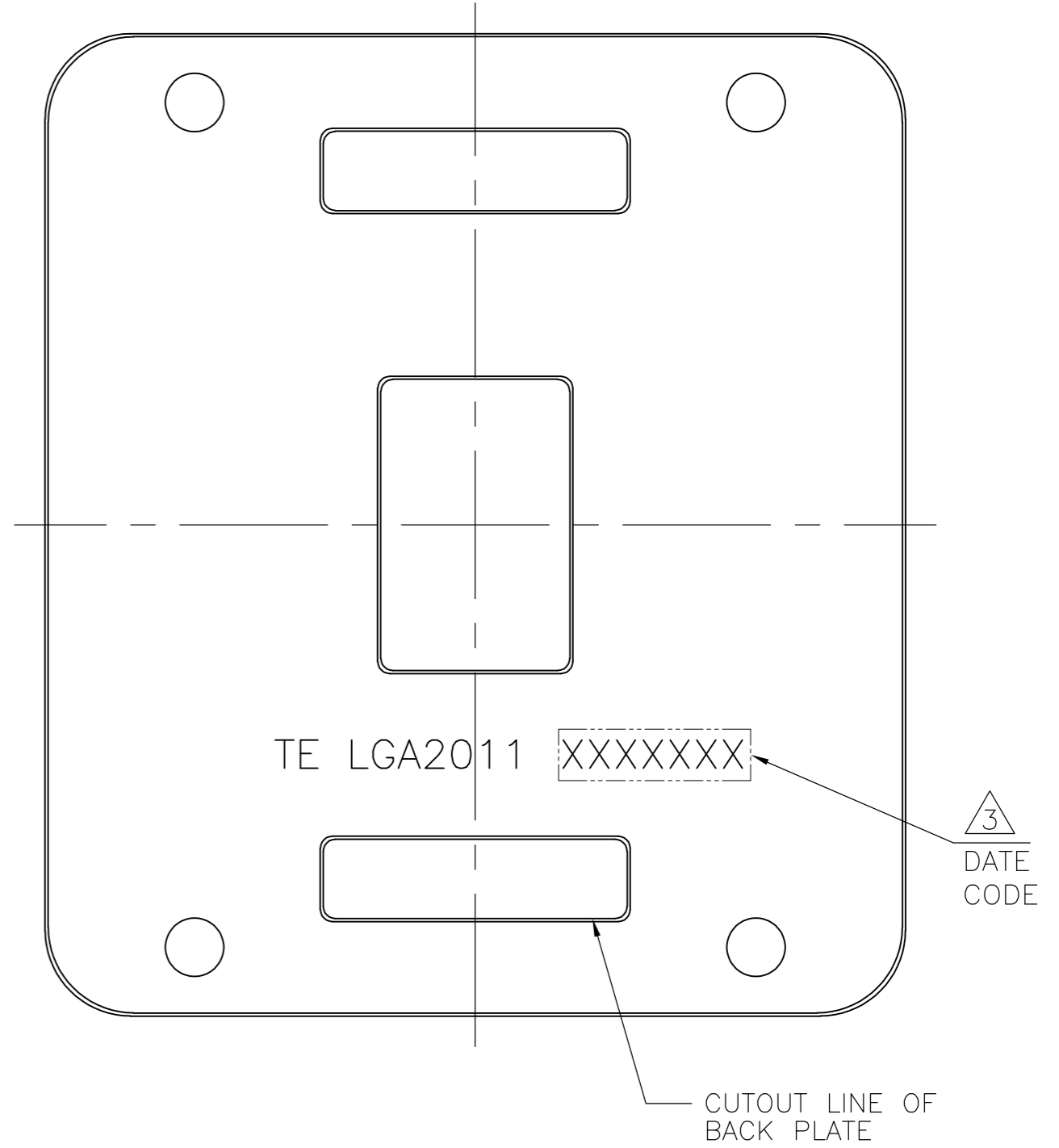
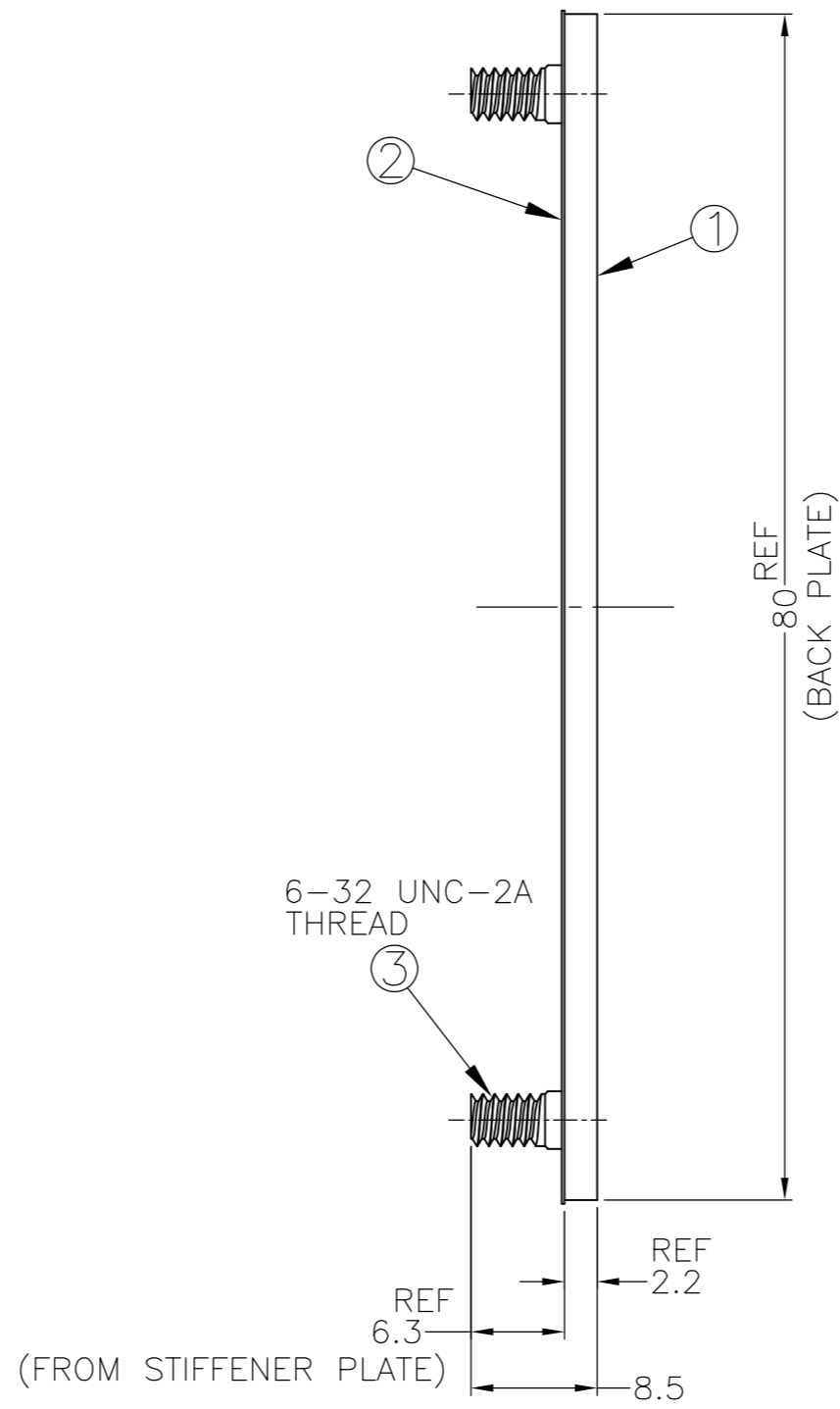
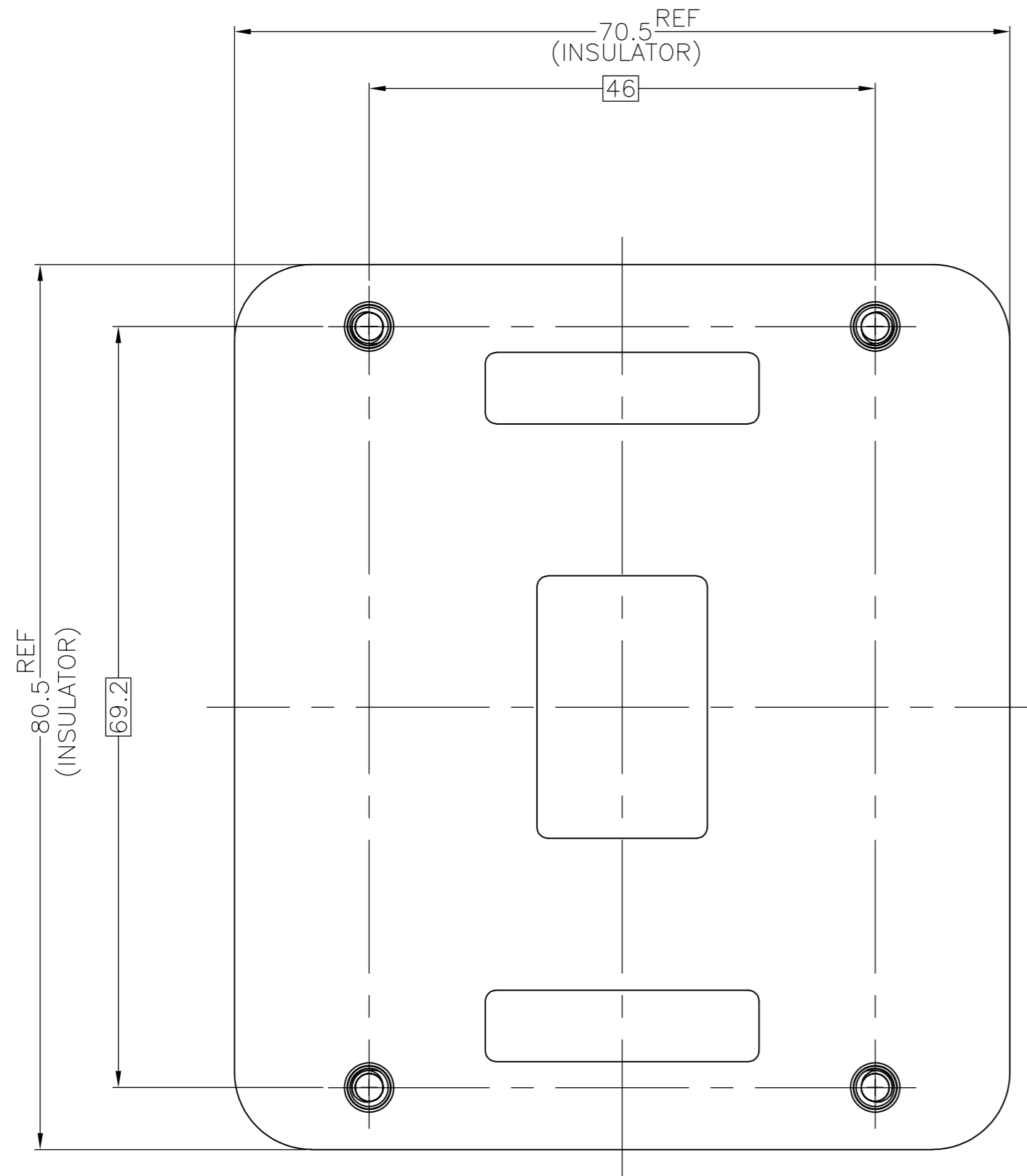
2134440-4 AS SHOWN  
 UNLESS SPECIFIED  
 DIMENSION ARE SAME WITH -1

THIS DRAWING IS A CONTROLLED DOCUMENT.		DWN	-	TE Connectivity	
DIMENSIONS: 単位: 種 mm		CHK	-		
TOLERANCES UNLESS OTHERWISE SPECIFIED: 一般公差		APVD	-	NAME 名称	
0-PLC ± ± ± 0.3 1-PLC ± ± ± 2-PLC ± ± ± 3° 3-PLC ± ± ± 4-PLC ± ± ± ANGLES ± ± ±		PRODUCT SPEC 製品規格		BACK PLATE ASSY LGA2011	
MATERIAL 材料		WEIGHT SEE TABLE		SIZE A2	CAGE CODE 00779
FINISH 仕上		CUSTOMER DRAWING		DRAWING NO 番号 C=2134440	RESTRICTED TO -
		SCALE 尺度 2:1		SHEET 3 OF 5	REV E

2134440

THIS DRAWING IS UNPUBLISHED. RELEASED FOR PUBLICATION APR , 2011.  
 © COPYRIGHT 2011 By Tyco Electronics Japan G.K. ALL RIGHTS RESERVED.

LOC		DIST		REVISIONS			
P	LTR	DESCRIPTION		DATE	DWN	APVD	
J	-	-	-	SEE SHEET 1	-	-	

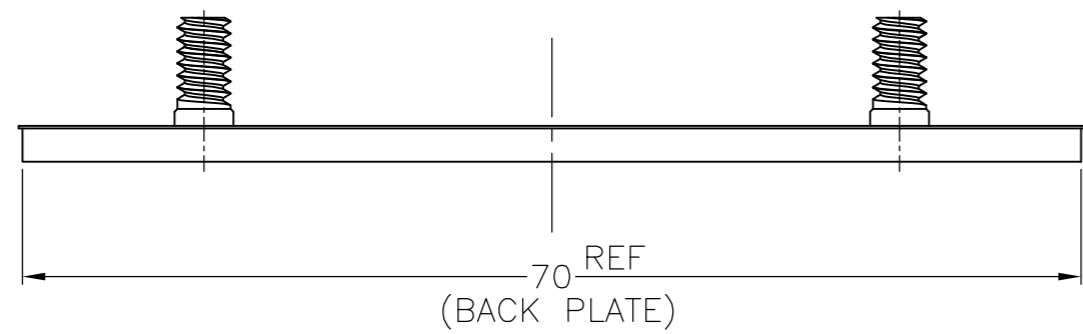
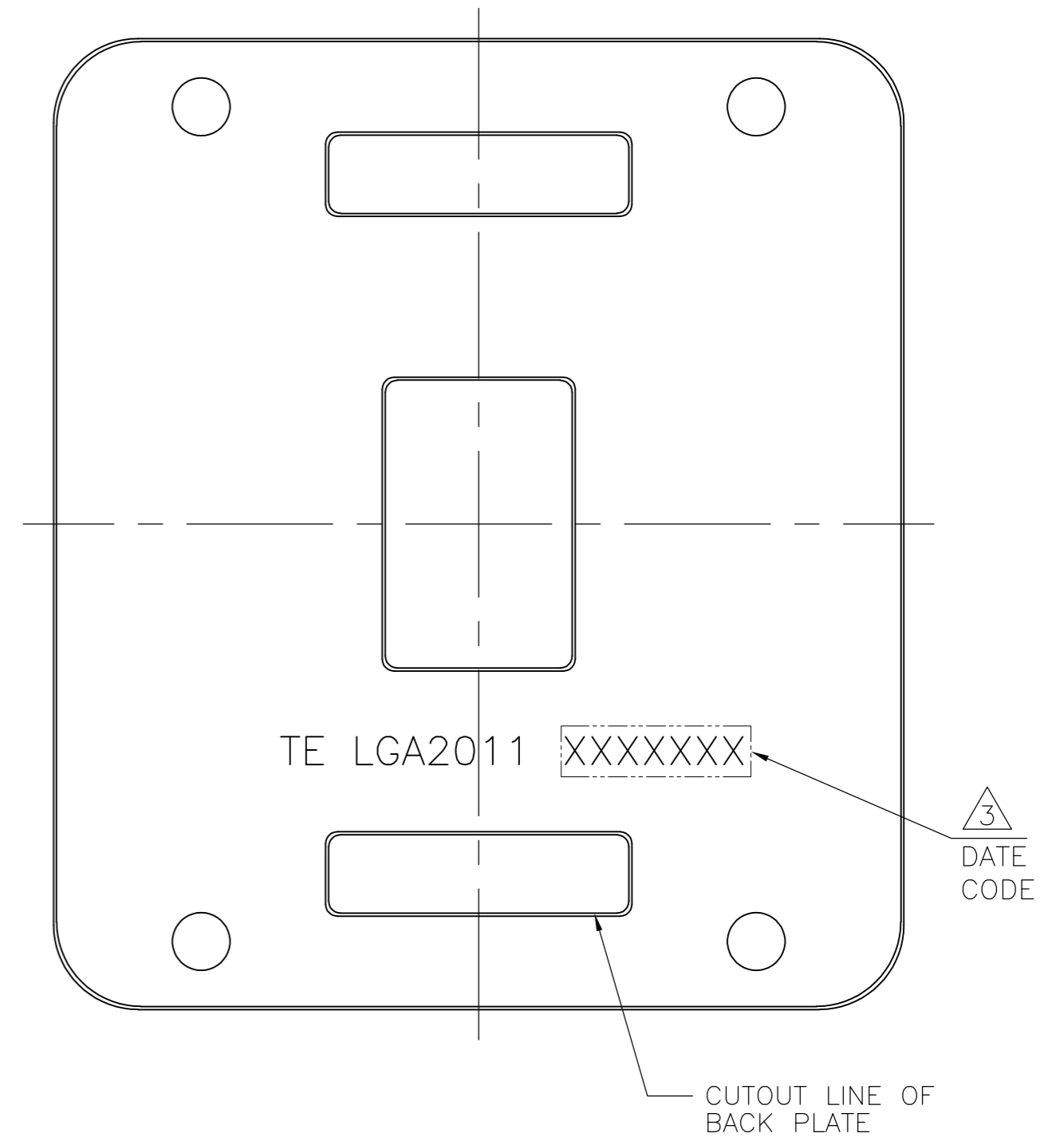
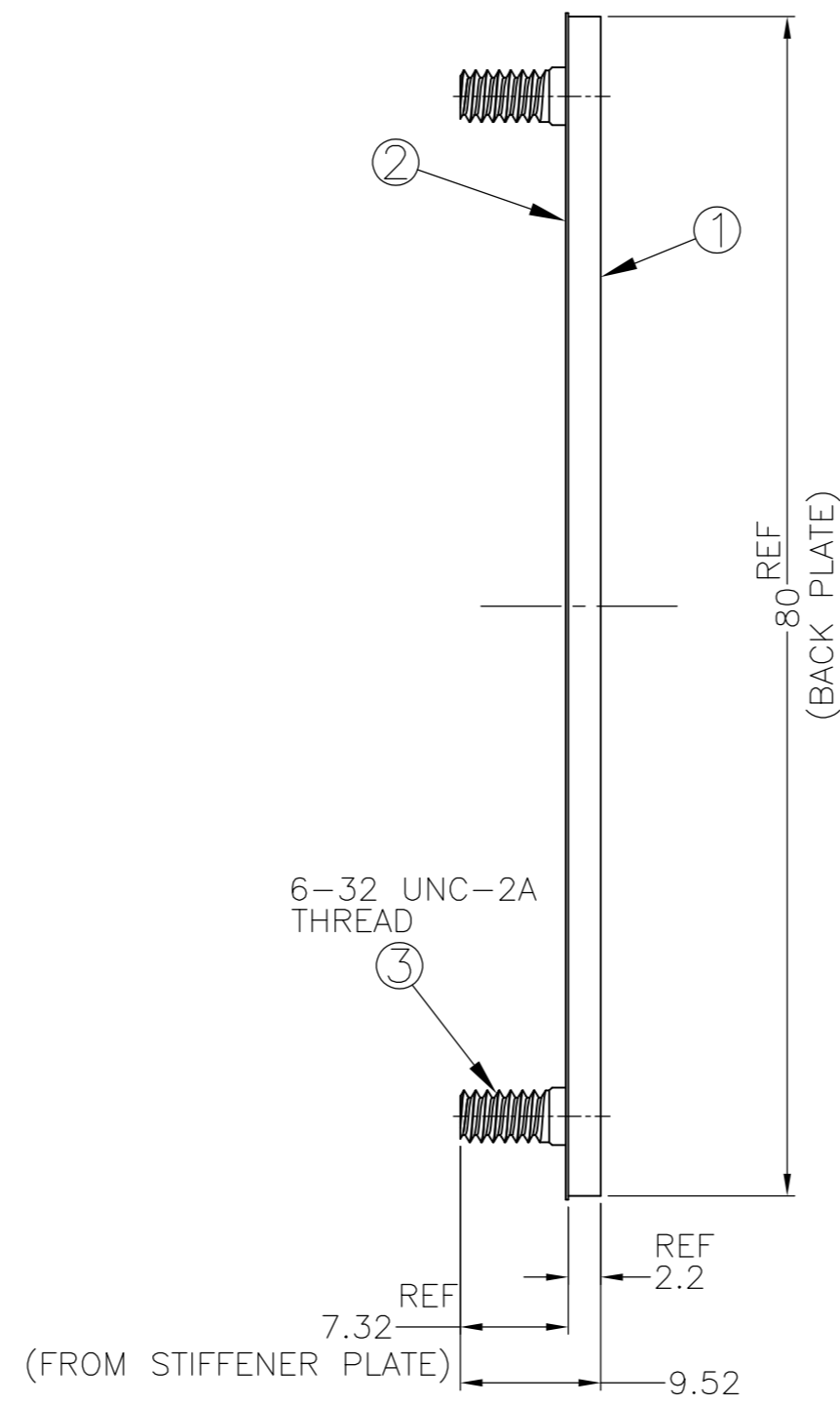
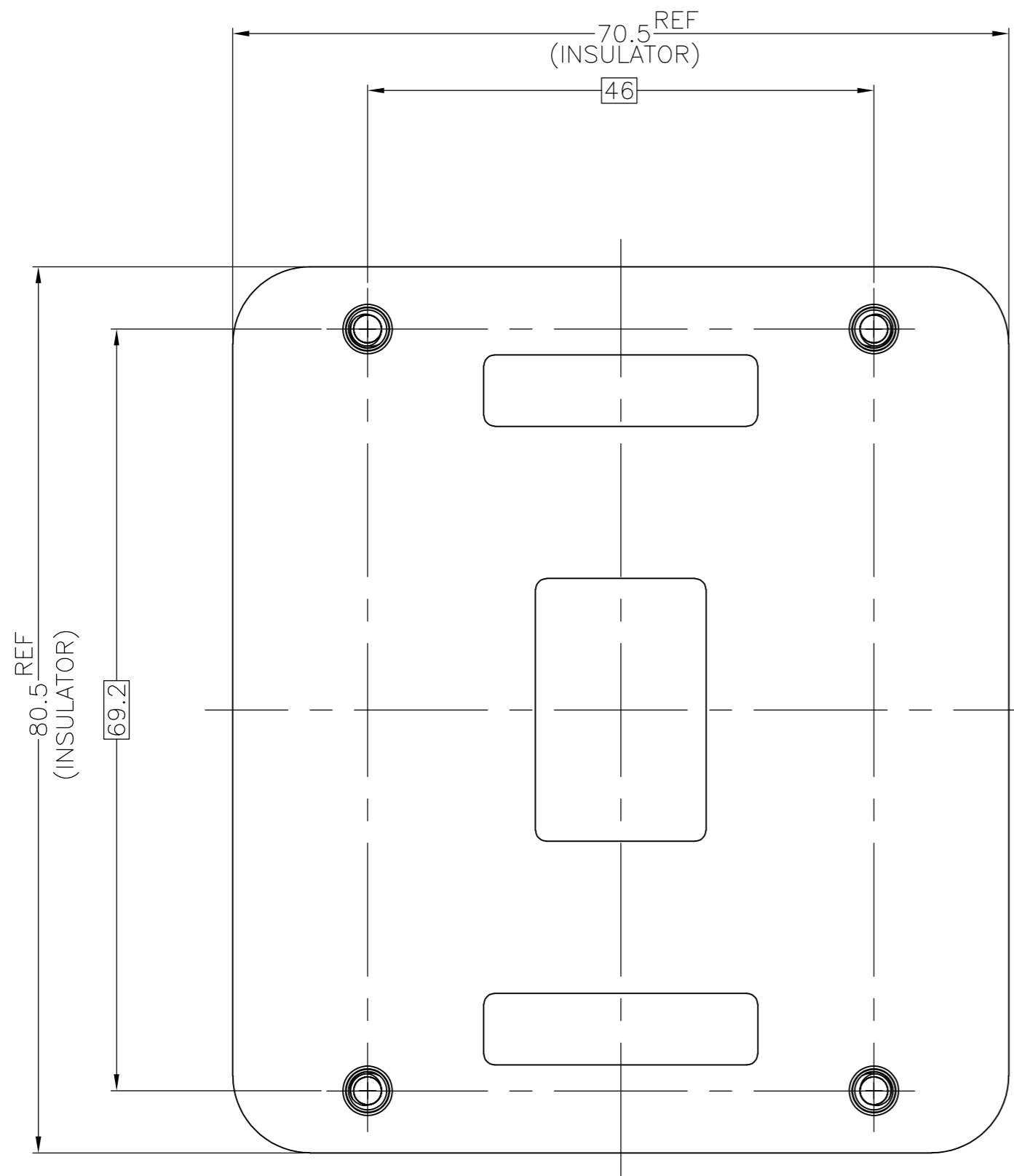


2134440-5 AS SHOWN  
 UNLESS SPECIFIED  
 DIMENSION ARE SAME WITH -1

THIS DRAWING IS A CONTROLLED DOCUMENT.		DWN	-	<b>STE</b> TE Connectivity	
DIMENSIONS: 単位: 種 mm		CHK	-		
TOLERANCES UNLESS OTHERWISE SPECIFIED: 一般公差		APVD	-	NAME 名称	
6-PLC ± ± ± 0.3		PRODUCT SPEC 製品規格		BACK PLATE ASSY	
1-PLC ± ± ± 3°		APPLICATION SPEC 取付適用規格		LGA2011	
2-PLC ± ± ±		WEIGHT	SEE TABLE	SIZE	A2
3-PLC ± ± ±		CUSTOMER DRAWING		CAGE CODE	00779
4-PLC ± ± ±		SCALE 尺度 2:1		DRAWING NO 番号	C=2134440
FINISH 仕上		SHEET 4 OF 5		RESTRICTED TO	-
MATERIAL 材料		REV E			

THIS DRAWING IS UNPUBLISHED. RELEASED FOR PUBLICATION APR , 2011.  
 © COPYRIGHT 2011 By Tyco Electronics Japan G.K. ALL RIGHTS RESERVED.

LOC	DIST	REVISIONS					
J	-	P	LTR	DESCRIPTION	DATE	DWN	APVD
		-	-	SEE SHEET 1	-	-	-



2134440-7 AS SHOWN  
 UNLESS SPECIFIED  
 DIMENSION ARE SAME WITH -1

THIS DRAWING IS A CONTROLLED DOCUMENT.		DWN	-	<b>STE</b> TE Connectivity	
DIMENSIONS: 単位: 寸 mm		CHK	-		
TOLERANCES UNLESS OTHERWISE SPECIFIED: 一般公差		APVD	-	NAME 名称	
6-PLC ± ± 0.3		PRODUCT SPEC 製品規格		BACK PLATE ASSY	
1-PLC ± ± 0.3		APPLICATION SPEC 取付適用規格		LGA2011	
2-PLC ± ± 3°		SIZE	A2	CAGE CODE	00779
3-PLC ± ±		DRAWING NO	C=2134440		RESTRICTED TO
4-PLC ± ±		WEIGHT	SEE TABLE		-
ANGLES ± ±		CUSTOMER DRAWING		SCALE 尺度	2:1
FINISH 仕上		SHEET		5 of 5	
		REV		E	