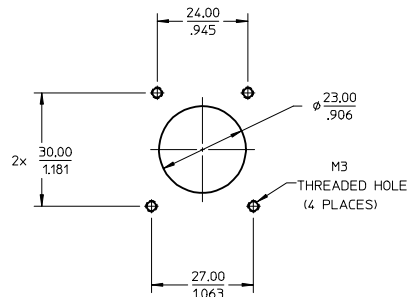
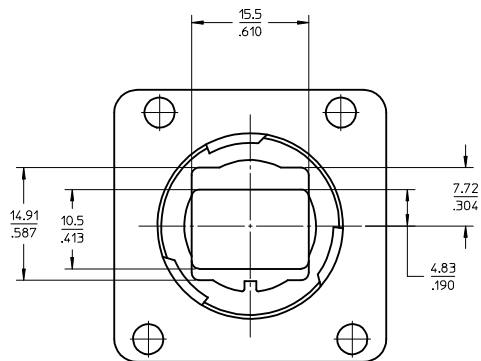
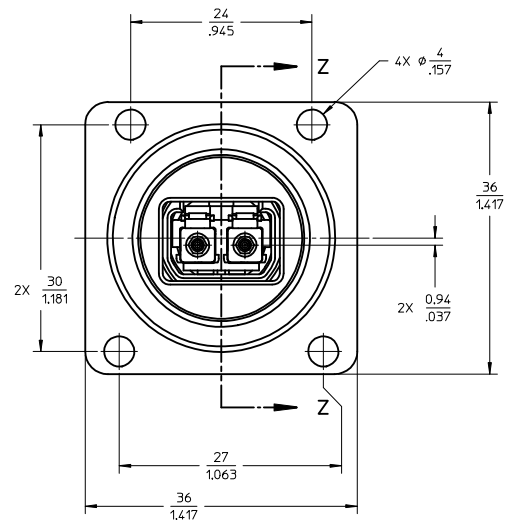


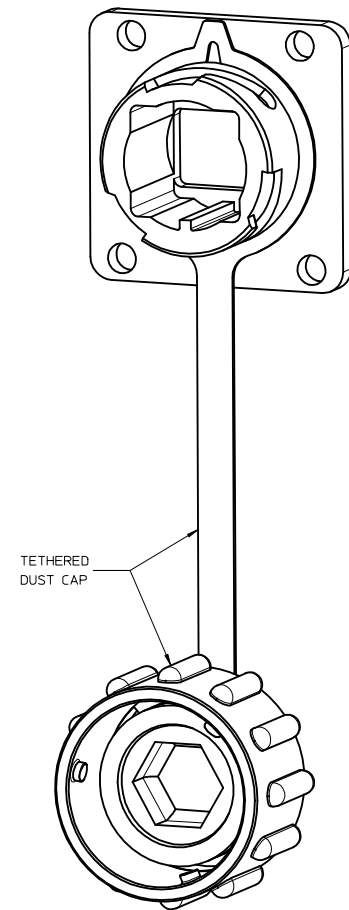
PART NUMBER	DUST CAP COLOR
1065018004	BLACK
1065018005	WHITE



RECOMMENDED MOUNTING CUTOUT
SCALE 1:1

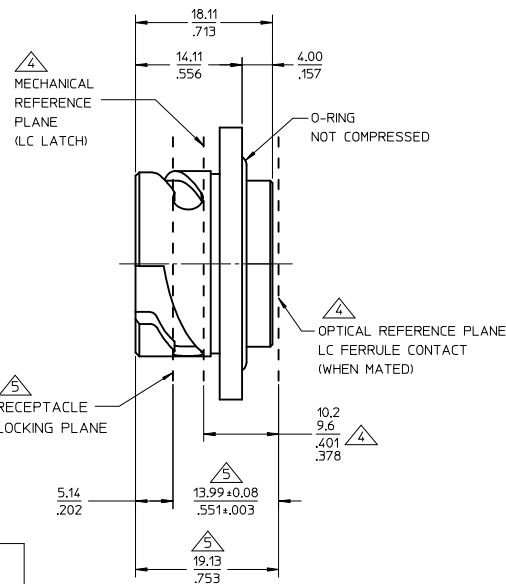
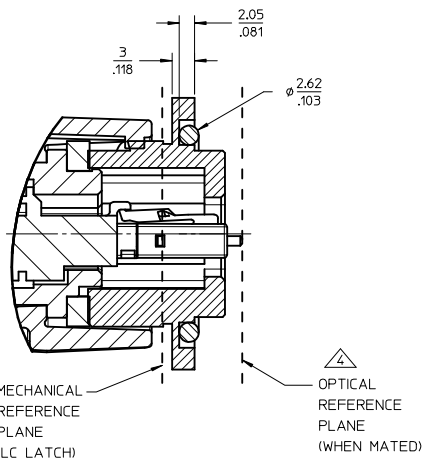


REPRESENTATIVE TRANSCEIVER SHOWN
FOR REFERENCE THIS VIEW ONLY



NOTES:

- ALL DIMENSIONS ARE FOR REFERENCE ONLY.
- MATERIALS-
ADAPTER HOUSING: ZINC ALLOY WITH ELECTROLESS NICKEL PLATING
O-RING: ETHYLENE-PROPYLENE
TETHER: BLACK - POLYETHYLENE (PE), WHITE - POLYPROPYLENE (PP)
DUST CAP: POLYBUTYLENE TEREPHTHALATE (PBT)
DUST CAP SEAL: SILICONE RUBBER
DUST CAP SCREW: NICKEL PLATED BRASS
- REFERENCE OR DIMENSION PER IEC-61754-20
- REFERENCE OR DIMENSION PER ODVA STANDARD
- SEE APPLICATION CONSIDERATIONS FOR CRITERIA ON PROPER USE.



APPLICATION CONSIDERATIONS:

- THE RECEPTACLE WILL HOLD AN ODVA COMPLIANT CONNECTOR IN THE LOCATION AS SHOWN.
- THE OPTICAL AND MECHANICAL (LC LATCH) REFERENCE PLANES OF THE TRANSCEIVER MUST BE SET AT THE LOCATIONS SHOWN AS RELATED TO THE RECEPTACLE LOCKING PLANE.
- THE SFP CAGE SETS THE LOCATION OF THE TRANSCEIVER, BUT TRANSCEIVER INTERFACE DIMENSIONS DIFFER BY MANUFACTURER.
- USER MUST REFER TO SFP CAGE AND TRANSCEIVER MANUFACTURER DATASHEETS FOR DIMENSIONS TO PROPERLY LOCATE THE OPTICAL AND MECHANICAL (LC LATCH) REFERENCE PLANES.

ENTER DESCRIPTION	QUALITY SYMBOLS
EC NO: MF2015-0390	▽=0
DRWN:AECKHART 2014/12/18	▽=0
CHKD:LSADAUSKAS 2015/01/12	▽=0
APPR:WCHEN 2015/01/28	

GENERAL TOLERANCES (UNLESS SPECIFIED)	
mm	INCH
4 PLACES ± .005	± .0002
3 PLACES ± .005	± .0002
2 PLACES ± .005	± .0002
1 PLACE ± .005	± .0002
0 PLACE ± .005	± .0002
ANGULAR ± .005°	

DIMENSION STYLE	
IN/MM	
DRAWN BY	DATE
AECKHART	2014/12/10
CHECKED BY	DATE
LSADAUSKAS	2015/01/12
APPROVED BY	DATE
WCHEN	2015/01/28

SCALE	DESIGN UNITS	THIRD ANGLE PROJECTION
2:1	INCH	☉
SIMPLIFIED SFP RECEPTACLE ASSY, ODVA		
molex		
MATERIAL NO.	DOCUMENT NO.	SHEET NO.
SEE TABLE	SD-106501-8004	1 OF 1

THIS DRAWING CONTAINS INFORMATION THAT IS PROPRIETARY TO MOLEX INCORPORATED AND SHOULD NOT BE USED WITHOUT WRITTEN PERMISSION