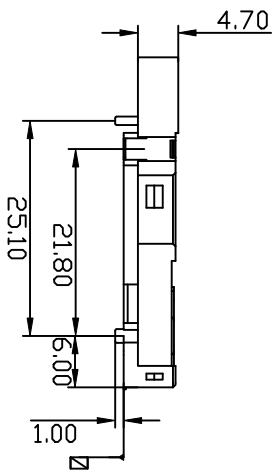


PIN NUMBER	DIM. L
25,26	3.50
ALL OTHER PINS	4.25
1, 13, 38, 50	5.00

mot'l. code	tolerances unless otherwise specified			CUSTOMER COPY	title	product family	code
ltr	ecn no	dr	dtte	linear	projection	CF	TWN
A	T05-0258	A.C.	11/21/05	.XX ± 0.20	MM	CF HEADER TYPE II REVERSE	
B	T06-0047	A.C.	3/07/06	.XXX ± 0.10		S/O=0	
C	T06-0075	A.C.	4/13/06	0° ± 2°			
D	T08-1171	S.LIN	10/12/08	dr	MM		
E	T09-1049	S.LIN	04/09/09	enfr	MM		
F	T09-1075	S.LIN	05/20/09	chr	NA		
sheet index	revision	F	F	F	scale	product family	code
1	1	2	3		NA	CF	TWN
						10053868	1 of 3

- NOTES :
- MATERIAL : HIGH TEMPERATURE THERMOPLASTIC INSULATOR ; FLAMMABILITY RATING: UL94V-0  
COLOR: IVORY
  - CONTACT : COPPER ALLOY  
GROUND MOUNTING EAR: COPPER ALLOY  
PICK-UP CAP: HIGH TEMP THEROPLASTIC.
  - PLATING :  
CONTACT AREA: SELECTIVE GOLD (SEE P/N DESCRIPTION)  
UNDER PLATING: 50µ" NICKEL OVERALL  
SOLDER TAIL AREA: 100µ" TIN/LEAD OR 100µ" MATTE TIN.  
GROUND MOUNT EAR AREA: 100µ" TIN/LEAD OR 100µ" MATTE TIN.
  - SOLDER TAILS TO BE WITHIN 0.05 UPWARD AND 0.2 DOWNWARD FROM Z-DATUM PLACE, AND COPPLANARITY OF SOLDER TAILS TO BE WITHIN 0.10mm.
  - PRODUCT SPEC: GS-12-240.  
PACKAGING SPEC: GS-14-980.



1 | 2

1 | 2

ACAD

3 |

3 |

cage code

4

4

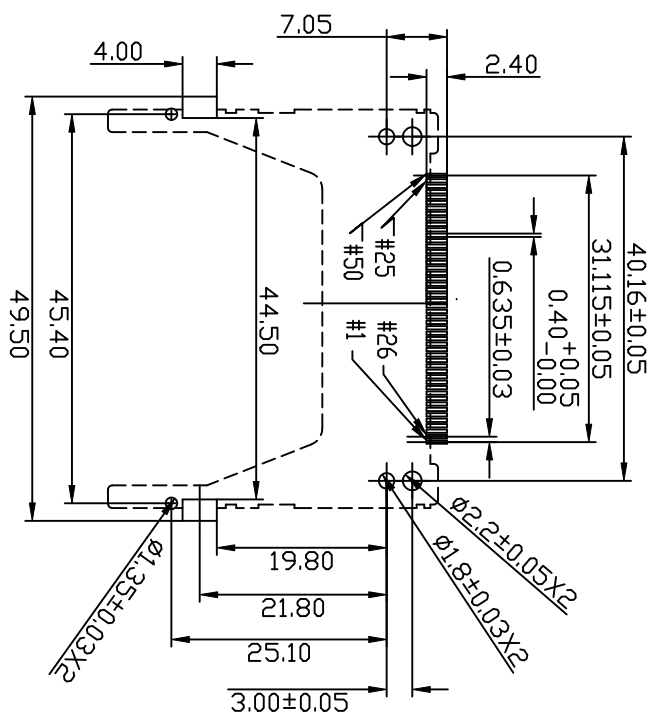


6.Part Number Description:

P/N: **10053868-XX50XX**

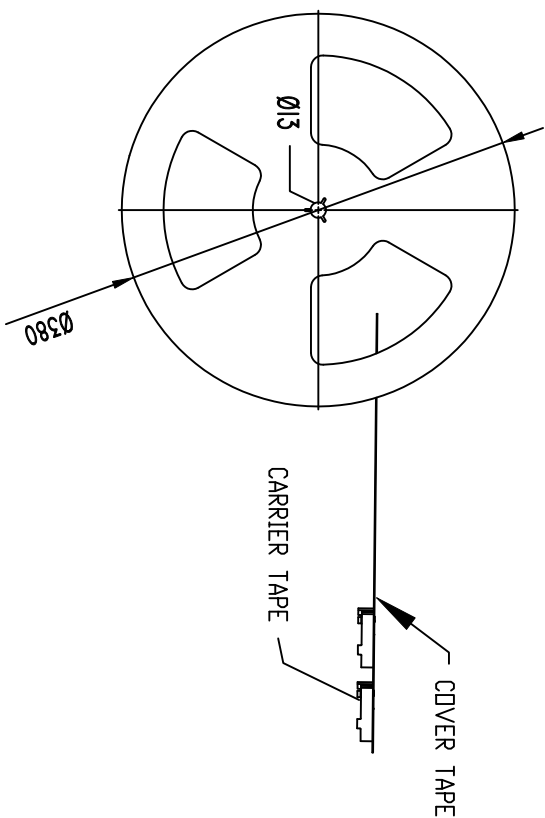
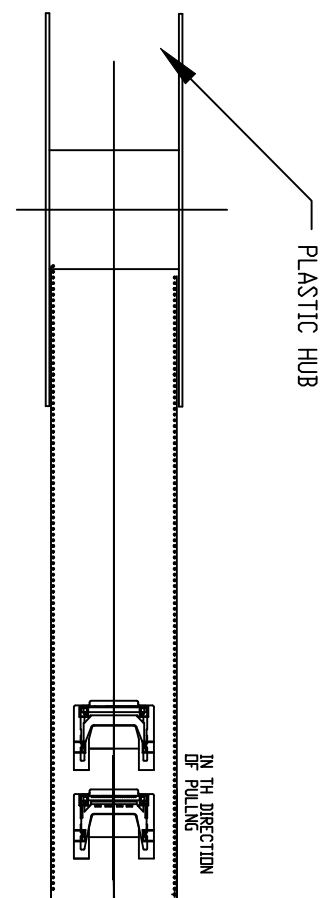
- PLATING ON SOLDER TAIL AREA:  
BLANK: 100u" TIN/LEAD.  
LF: 100u" MATTE TIN.
- 0: WITH PICK-UP CAP + TAPE&REEL PACKAGE.  
1: WITHOUT PICK-UP CAP + TRAY PACKAGE.  
2: WITH PICK-UP CAP + TRAY PACKAGE.
- PIN COUNT.
- KEY TYPE:  
1: REVERSE TYPE
- GOLD PLATING:  
B: 10u" GOLD PLATE  
E: 30u" GOLD PLATE

7. THIS PRODUCT (10053868-XXXXXLF) MEETS THE EUROPEAN UNION DIRECTIVE AS DESCRIBED IN GS-22-008.
8. THIS PRODUCT (10053868-XXXXX) MEETS THE EUROPEAN UNION DIRECTIVE AS DESCRIBED IN GS-22-008 EXCEPT FOR Pb.
9. THE HOUSING WILL WITHSTAND EXPOSURE TO 260°C PEAK TEMPERATURE FOR 10 SECONDS IN A CONVECTION, IR DR VAPER PHASE REFLOW OVEN.
10. THE PRODUCTS WHERE THE PART NUMBER ENDS IN 'LF' MEET THE CRITERIA SHOWN IN THE NOTES 7 AND 9.

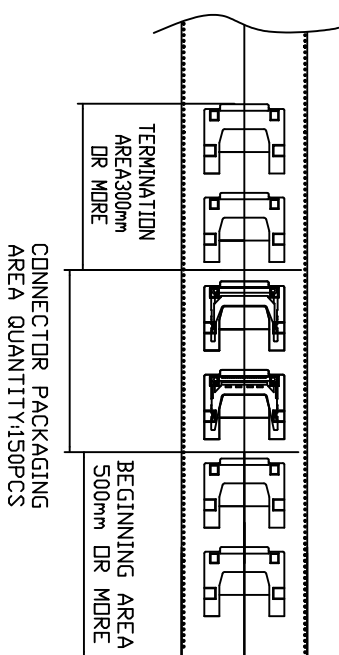
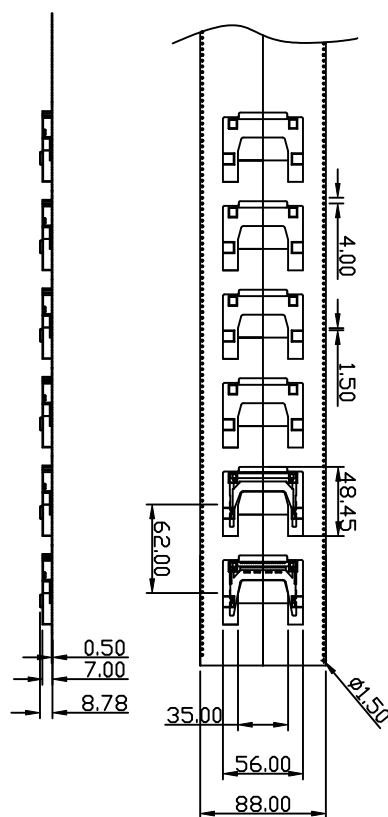


General Tolerance +/-0.05mm  
Recommended PCB Pattern

mot'l. code	ecn no	dr	dtte	lineor	tolerances unless otherwise specified	CUSTOMER COPY	projection	title	product family	code
A	105-0258	A.C.	11/21/05		.XX ± 0.20			CF HEADER TYPE II REVERSE	CF	TWN
B	106-0047	A.C.	3/07/06		.XXX ± 0.10			S/O=0		sheet 3 of 3
C	106-0075	A.C.	4/13/06	angles	0° ± 2°					
D	108-1171	S.LIN	10/12/08	dr						
E	109-1049	S.LIN	04/09/09	engr						
E	109-1075	S.LIN	05/20/09	chr						
sheet index	revision									
		F	F	F						
		1	2	3						



NOTES:  
 1 CARRIER TAPE: PS T=0.4MM  
 2 COVER TAPE: PE  
 3 PLASTIC HUB: PS



COMPOSITION OF PACKAGING

mot'l. code	tolerances unless otherwise specified		CUSTOMER COPY		title	
lir	ecn no	dr	dtte	lineor	projection	CF HEADER TYPE II REVERSE S/O=0
A	T05-0258	A.C.	11/21/05	.XX ± 0.20	MM	www.fciconnect.com
B	T06-0047	A.C.	3/07/06	.XXX ± 0.10	MM	
C	T06-0075	A.C.	4/13/06	0° ± 2°	MM	
D	T08-1171	S.LIN	10/12/08	dr ALLEN CHANG	MM	
E	T09-1049	S.LIN	04/09/09	engf ALLEN CHANG	MM	
F	T09-1075	S.LIN	05/20/09	chr STERLING LIN	MM	
				H.C LIU	MM	
sheet index	revision	sheet	1	2	3	

ACAD

cage code

4