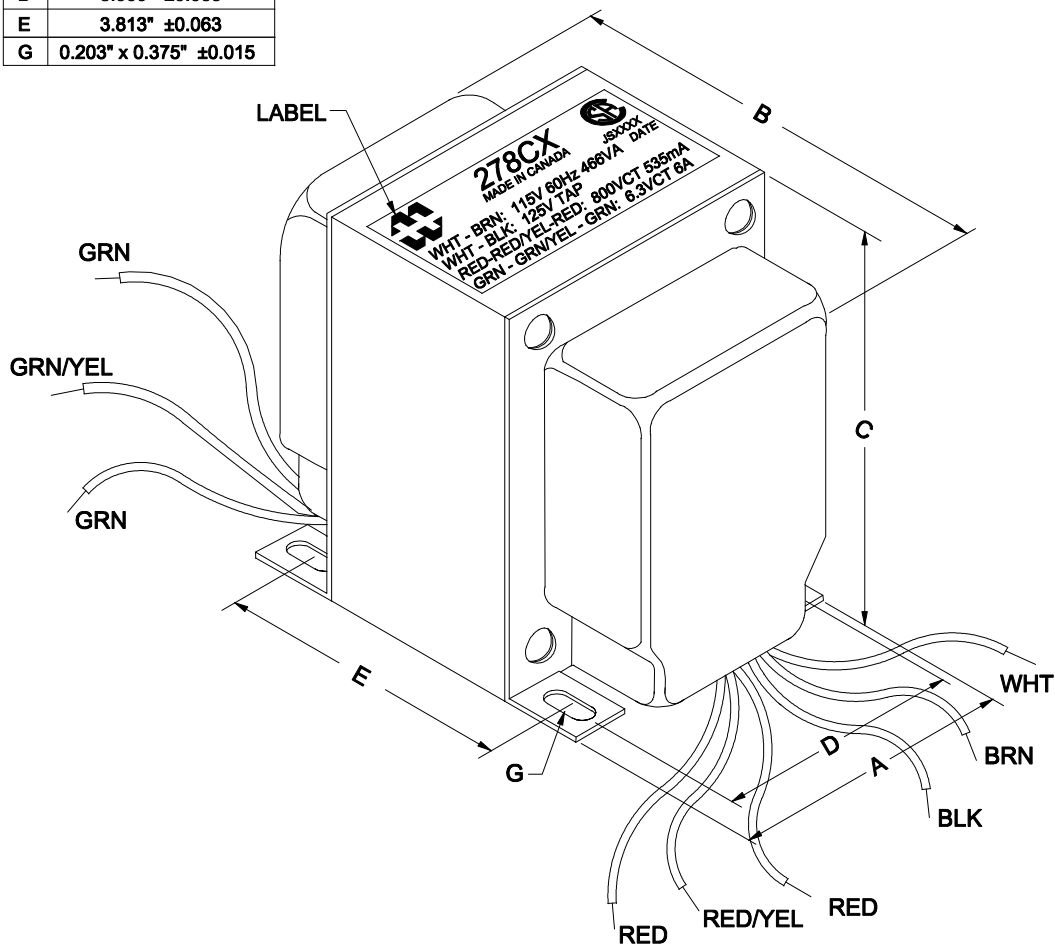
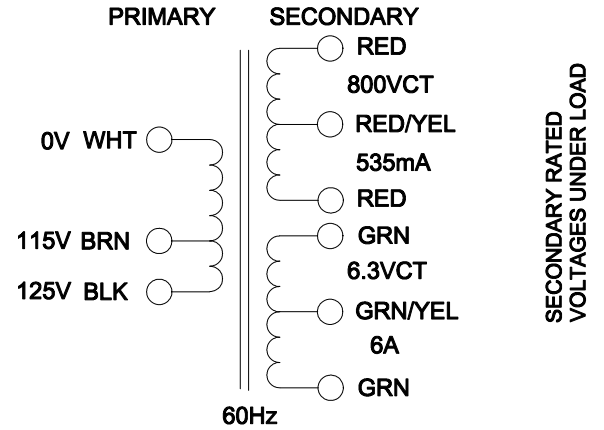


DIMENSIONS:	
A	3.750" ±0.063
B	4.936" ±0.125
C	4.560" ±0.063
D	3.000" ±0.063
E	3.813" ±0.063
G	0.203" x 0.375" ±0.015



NOTE: ALL LEADS 6" OUT MIN. STRIPPED 0.5"



ELECTRICAL DATA:		
TESTS	CONDITIONS	ACCEPTANCE CRITERIA
I _{ex}	@ 125V, 60Hz, WHT - BLK	720mA Max.
Sec. N.L.V	@ 125V, 60Hz, WHT - BLK	
	RED - RED =	841.7V ±2%
	RED - RED/YEL = RED/YEL - RED =	420.8V ±2%
	GRN - GRN =	6.667V ±2%
	GRN - GRN/YEL = GRN/YEL - GRN =	3.334V ±2%
DCR	@ 20°C, WHT - BLK =	0.408 Ω ±20%
	@ 20°C, RED - RED =	21.76 Ω ±20%
	@ 20°C, GRN - GRN =	0.020 Ω ±20%
HIPOT	PRIMARY - SECONDARY	3000V, 60Hz, 1 SEC

REV.#	REVISION	DATE	HAMMOND ELECTRONIC DIVISION		52 RANKIN PLACE, WATERLOO, ONTARIO, N2J 3Z5	PH # (519) 886-6181 FAX # (519) 886-9540
0	RELEASED.	C.I. 11/29/12	MANUFACTURING™			
1	BRN WAS GRY.	C.I. 07/19/13				
			DWG. BY: C. ILIE	CHK'D BY:	TITLE: POWER TRANSFORMER	DWG. NO. 278CX
			DATE: 11/29/12	APP'D. BY:		
				DIMENSIONS: IN(X) MM()		