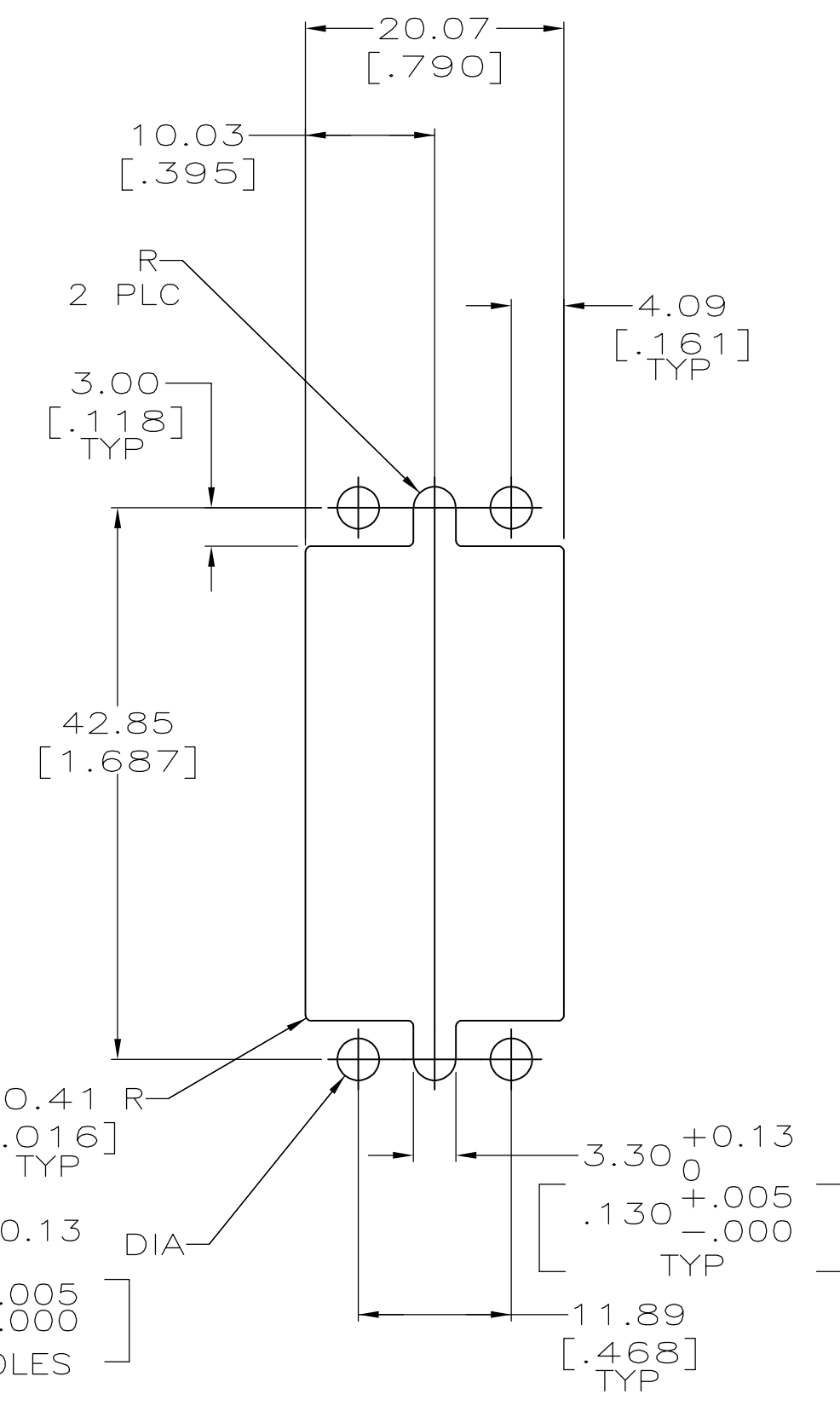
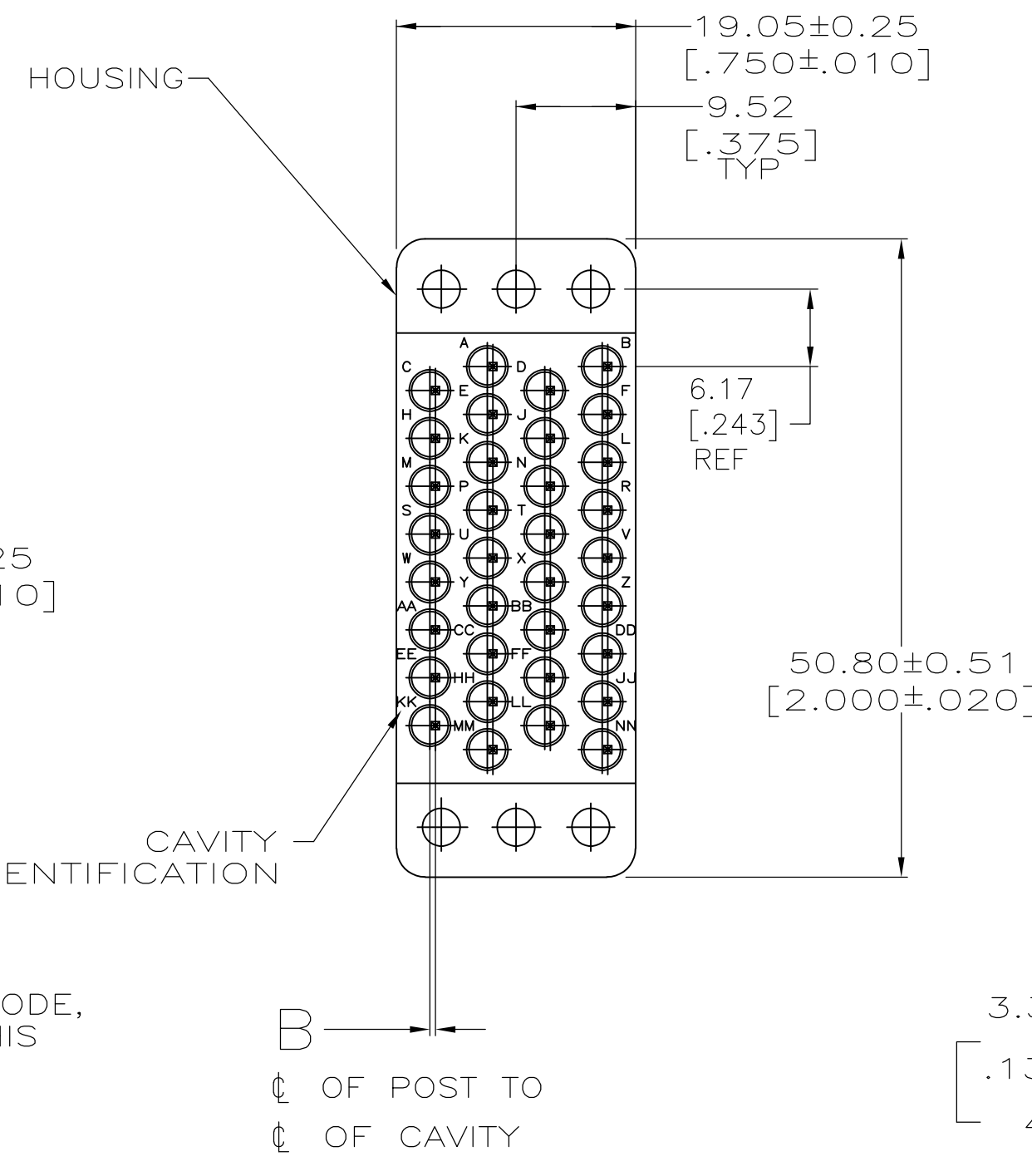
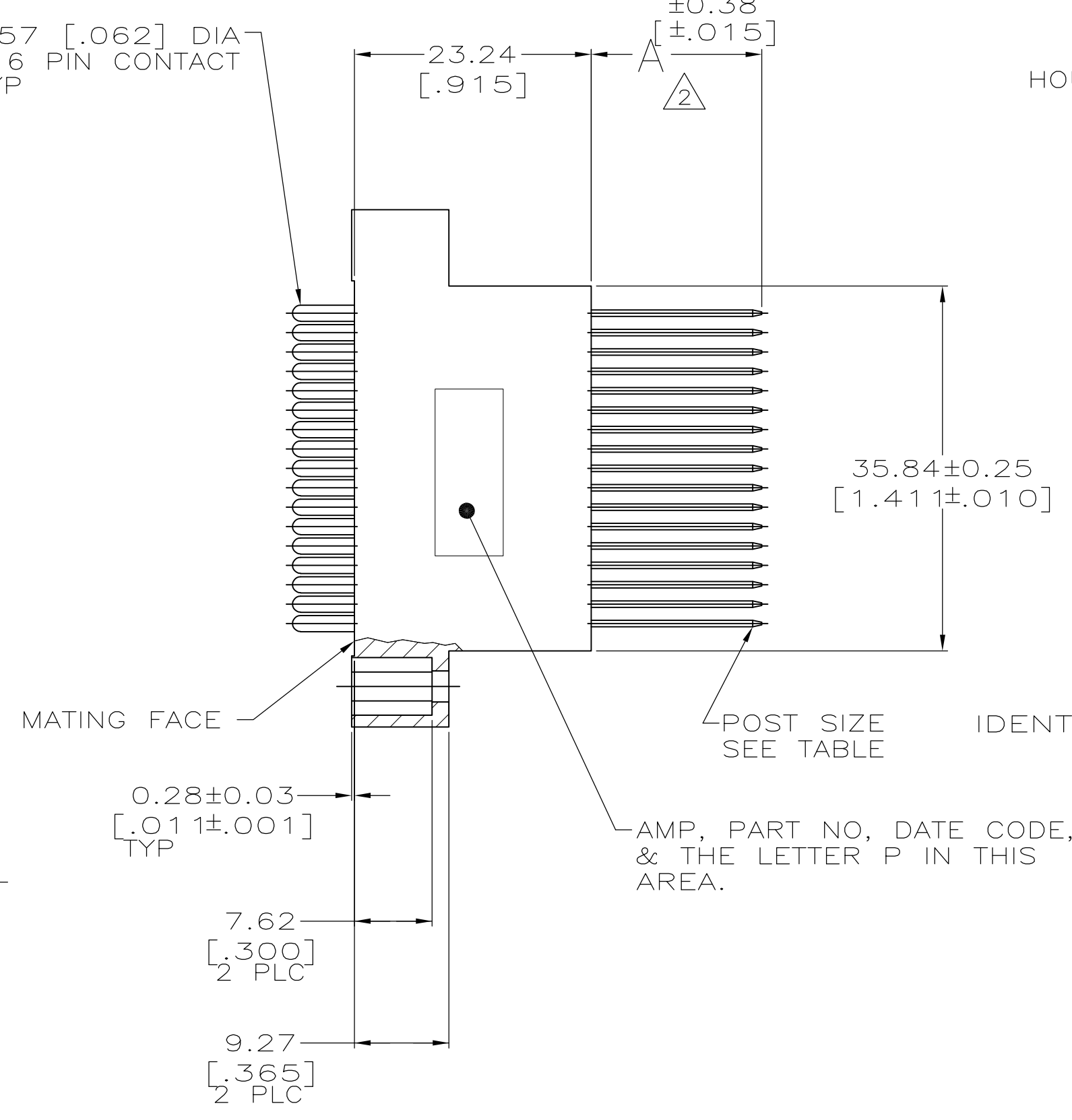
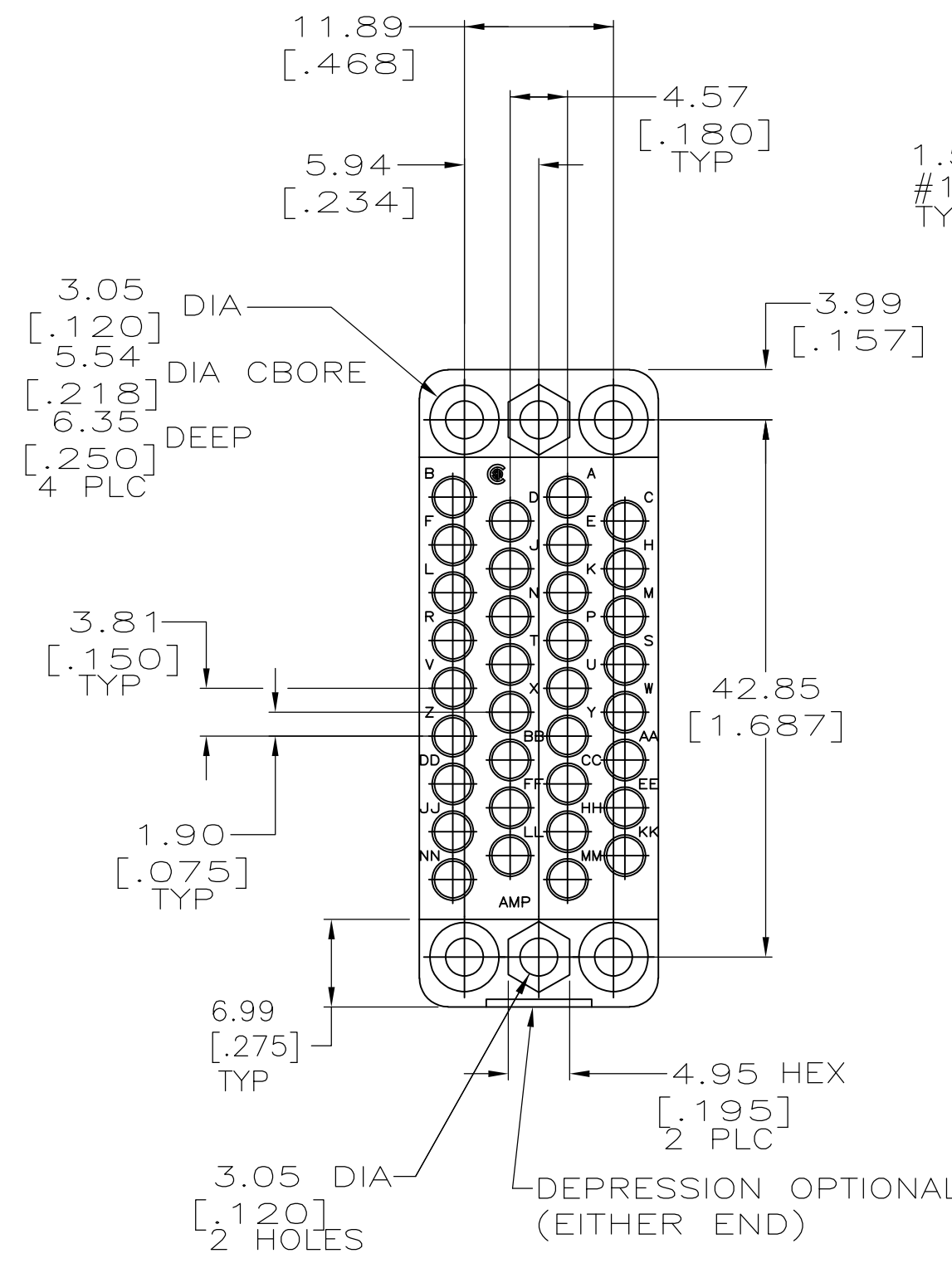


LOC		DIST		REVISIONS			
P	LTR	DESCRIPTION	DATE	DWN	APVD		
U		REVISED PER 063B-0095-05	3/31/05	SS	GS		
U1		REVISED PER ECO-09-021826	11JAN10	KK	AEG		



RECOMMENDED PANEL CUTOUT

- ① PHENOLIC, BLACK.
- ② WHEN CONTACT IS FULLY SEATED FORWARD.
- ③ MAX WIRE TO BE USED WITH THIS CONNECTOR IS NO. 24 AWG.
- ④ SELECT LOAD ONLY THE FOLLOWING POSITIONS: A,B,C,D,E,F,H,J,K,P,R,S,T,U,V,W,Y,Z,AA,BB,NN.
- ⑤ 1.27um [.000050] MIN TIN-LEAD PER MIL-T-10727 OVER 1.27um [.000050] MIN NICKEL PER QQ-N-290.
- ⑥ 0.76um [.000030] MIN GOLD PER MIL-G-45204 FOR A LENGTH OF 5.08 [.200] MIN FROM MATING END, 1.27um [.000050] MIN NICKEL PER QQ-N-290.
- ⑦ 2.54um [.000100] MIN TIN-LEAD PER MIL-T-10727 OVER 2.54um [.000100] MIN COPPER PER MIL-C-14550.
- ⑧ 0.76um [.000030] MIN GOLD PER MIL-G-45204 OVER 1.27um [.000050] MIN NICKEL PER QQ-N-290.
- ⑨ CONTACT: BODY, BRASS, MIL-C-50; POST, BRASS, ASTM B-134; SPRING, STAINLESS STEEL, QQ-S-766.
- ⑩ 2.54um [.000100] MIN TIN PER MIL-T-10727 OVER 2.54um [.000100] MIN COPPER PER MIL-C-14550.
- ⑪ OBSOLETE PARTS: OBSOLETE CIS STREAMLINING PER D.RENAUD/D.SINISI

⑪	OBSOLETE	0.43 [.017]	11.94 [.470]	⑩	⑥	0.64 X 0.64 [.025 X .025]	2	4-205361-9
⑪	OBSOLETE	0.43 [.017]	16.74 [.659]	⑩	⑥	0.64 X 0.64 [.025 X .025]	3	4-205361-8
⑪	OBSOLETE	0.43 [.017]	6.63 [.261]	⑩	⑤	0.64 X 0.64 [.025 X .025]	1	3-205361-3
⑪	OBSOLETE	0.43 [.017]	11.94 [.470]	⑩	⑥	0.64 X 0.64 [.025 X .025]	2	④ 1-205361-6
	OBSOLETE	-	20.57 [.810]	⑩	⑥	0.79 X 1.57 [.031 X .062]	3	1-205361-3
	OBSOLETE	0.25 [.010]	16.74 [.659]	⑩	⑥	0.56 X 0.91 [.022 X .036]	3	1-205361-0
	OBSOLETE	0.13 [.005]	20.57 [.810]	⑩	⑥	1.14 X 1.14 [.045 X .045]	3	205361-6
	OBSOLETE	0.43 [.017]	16.74 [.659]	⑩	⑤	0.64 X 0.64 [.025 X .025]	3	205361-3
	OBSOLETE	0.43 [.017]	16.74 [.659]	⑩	⑧	0.64 X 0.64 [.025 X .025]	3	205361-2
	OBSOLETE	0.43 [.017]	16.74 [.659]	⑩	⑥	0.64 X 0.64 [.025 X .025]	3	205361-1
	B	A	FINISH CONTACT POST	FINISH CONTACT BODY	CONTACT POST	NO OF TERM	PART NUMBER	

THIS DRAWING IS A CONTROLLED DOCUMENT

APVD: C. OBERMAN 07/07/92, R. STONE 7-10-92

TYCO ELECTRONICS CORPORATION, Harrisburg, Pa 17105-3608

PRODUCT SPEC: PIN ASSY, 34 POSITION POSTED, M SERIES

APPLICATION SPEC: -

SIZE: A1, CAGE CODE: 00779, DRAWING NO: 205361

SCALE: 2:1, SHEET: 1 of 1, REV: U1